



Gas Connectors & Accessories

Continental
Industries

CON-STAB ID SEAL[®] FITTINGS



1-800-558-1373 or FAX 1-800-788-1668 • Visit www.conind.com



Our Company

Continental Industries, headquartered in Tulsa, Oklahoma, was formed in 1958 and is today a leading manufacturer of connectors for the Gas Utility, Gas & Water Distribution, Propane, Plumbing and Cathodic Protection markets.

An ISO 9001 certified company, Continental Industries has manufacturing locations in Tulsa and Broken Arrow, Oklahoma. Our employees are committed to providing the best value to our customers.

Our full line of plastic and steel connector products are produced utilizing state-of-the-art injection molding machines, automatic screw machines, and CNC machining equipment. Our commitment to quality is evident in every step of our business processes. Renowned for our design and development of technologically advanced products, we provide our customers with reliable, cost-effective solutions to their “main to meter” service line installation, repair, or renewal problems.

thermOweld®, our exothermic welding materials and accessories products, provide a simple, efficient, cost effective method of permanently connecting two or more conductors utilizing a high temperature exothermic reaction between Aluminum and Copper Oxide to produce an almost pure copper weld. We manufacture all of our weld metal and molds in Oklahoma so you are certain of getting consistent, high quality products to satisfy your exothermic welding needs.

Our Vision

Simply stated, our vision is “To be a Sales and Customer Driven Company”. Our commitment to providing the best value to our customers is shared by the entire organization and is evidenced by both the number of long standing relationships we have gratefully developed over the years and the new relationships we are developing every day.

Why Use

Continental Industries is the industry leader in the manufacturing of plastic and steel mechanical fittings for the Gas & Water industry. From the Con-Stab ID Seal® to Scope®, steel saddles to HVT, quality and service is what drives us at Continental Industries.

Manufacturing fittings since 1958, Continental has the experience and confidence necessary to provide the best quality products on the market today. Continental Industries’ mechanical fittings will save you both time and money and give you the peace of mind that comes with using a quality product.

Continental Industries’ uses only the highest quality raw materials, engineered designs and manufacturing processes to ensure the consistent quality that makes Continental Industries’ products second to none.

With regional sales offices located throughout the United States, a Continental Industries representative is only a phone call away to help with any questions you may have.

Come experience what so many other satisfied customers have experienced, the excitement and family atmosphere that is Continental Industries!

TABLE OF CONTENTS

Con-Stab ID Seal® Full Couplings.....	4	Con-Stab ID Seal® Eliminator Saddles.....	12-15
Con-Stab ID Seal® End Caps.....	4	Con-Stab ID Seal® PE Valve Tee.....	16-17
Con-Stab ID Seal® Cap-N-Go Couplings.....	4	Con-Stab ID Seal® Transition Punch Tees.....	18-27
Con-Stab ID Seal® 3-Way Tees.....	5	Con-Stab ID Seal® Transition Fittings.....	28-29
Con-Stab ID Seal® 90° Elbows.....	5	Chamfer Tools.....	30
Con-Stab ID Seal® PE x Copper Transition Coupling.....	5	Accessories for Con-Stab ID Seal® Eliminator Saddles..	30
Con-Stab ID Seal® Reducer Couplings.....	6	Punch Data - Sizes, Types & Limits.....	31
Con-Stab ID Seal® Reducing 3-Way Tees.....	7	Accessories for Con-Stab ID Seal® Transition Punch Tees....	31
Con-Stab ID Seal® Repair Couplings.....	8	Protective Sleeves.....	32
Con-Stab ID Seal® Fusion Saddles.....	9	Con-Stab ID Seal® Fittings with EFV's.....	33
The Scope® Expandable Joint Repair Couplings.....	10-11	Assembly Instructions.....	34



CON-STAB ID SEAL® FITTINGS

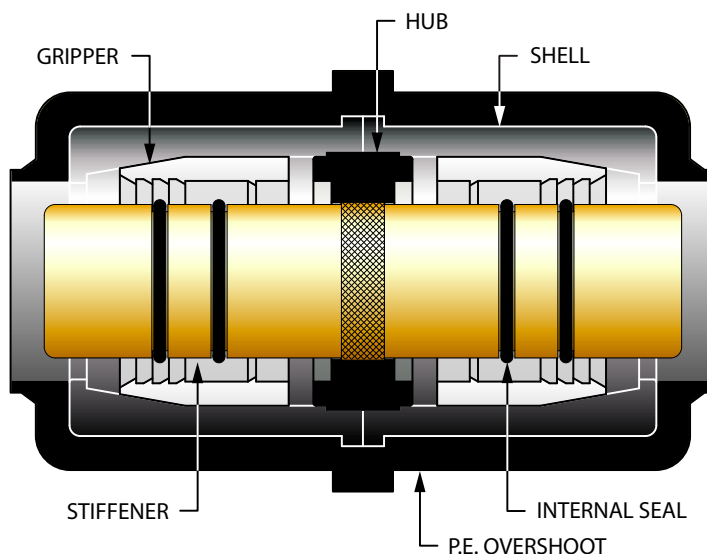
Con-Stab ID Seal® fittings have been sold to the Gas Distribution, Plumbing and Propane markets since 1990. Millions are in service throughout the U.S. Continental's unique ID Seal design enables the seal to be maintained on the smooth inside surface of the polyethylene pipe, regardless of the exterior surface of the piping. This improved seal protection creates the ultimate design for mechanical joints.

The Con-Stab ID Seal® fittings provide the user with the following advantages:

- Cost effective joining method
- Simple assembly
- No additional assembly equipment required for installation (just chamfer pipe and push)
- Expanded product line with various configurations and material options (PE 3408/4710 or PE 2406)
- Uni-body design eliminating all external parts
- Pressure rating that meets or exceeds the maximum design pressure of the piping system
- Meets or exceeds all D.O.T., ASTM and NFPA 58 requirements

Each Con-Stab ID Seal® fitting provides the following unique features:

- Two internal seals
- Fixed stiffener
- Self-locking gripper
- Moisture lip



Continental Industries is an ISO 9001 Certified Company. Continental's Con-Stab ID Seal® product line is manufactured and tested to the following industry standards.

- ASTM D 2513 "Standard Specification for Thermoplastic Gas Pressure Pipe, Tubing and Fittings"
- ASME B31.8-1995 "Gas Transmission and Distribution Piping Systems"
- D.O.T., Title 49 of the Code of Federal Regulations, Part 192.283 (b)
- NFPA 58, LP-Gas Code
- NFPA 54, National Fuel Gas Code
- CSA
- ICC – International Plumbing Code
- IAPMO – Uniform Plumbing Code



CON-STAB ID SEAL® Full Couplings

PE SIZE	WALL	PART NUMBER (3408/4710)
1/2" CTS (5/8" OD)	.090	3259-52-1004-00†‡
3/4" CTS (7/8" OD)	.090	3259-52-1006-00‡
1" CTS (1 1/8" OD)	.099/.101	3259-52-1008-00†‡
	.090	3259-52-1008-AA‡
1 1/4" CTS (1 3/8" OD)	.090	3259-52-1039-AA
1/2" IPS	SDR-9.33 (.090)	3259-52-1012-00‡
3/4" IPS	SDR-11 (.095)	3259-52-1013-00†‡
1" IPS	SDR-11 (.119)	3259-52-1014-00†‡
1 1/4" IPS	SDR-10 (.166)	3259-52-1015-00†‡
	SDR-11 (.151)	3259-52-1015-AA
1 1/2" IPS	SDR-11 (.173)	3259-52-1016-00†‡
2" IPS	SDR-11 (.216)	3259-52-1017-00†‡



- **For sizes not listed, contact Continental Industries.**
- Pressure rating—Designed to meet or exceed pressure rating of PE pipe per 49 CFR Part 192 and ASTM D2513.
- Recommended accessories;
 - Continental's Bladed Chamfering Tool. See page 30 for size combinations available.
- For Con-Stab ID Seal® Couplings with EFV's, contact Continental Industries.
- † = CSA Approved / ‡ = IAPMO/UPC Listed

CON-STAB ID SEAL® End Caps

PE SIZE	WALL	PART NUMBER (3408/4710)
1/2" CTS (5/8" OD)	.090	3259-53-1004-00†‡
3/4" CTS (7/8" OD)	.090	3259-53-1006-00‡
1" CTS (1 1/8" OD)	.099/.101	3259-53-1008-00†‡
	.090	3259-53-1008-0A‡
1 1/4" CTS (1 3/8" OD)	.090	3259-53-1039-0A
1/2" IPS	SDR-9.33 (.090)	3259-53-1012-00‡
3/4" IPS	SDR-11 (.095)	3259-53-1013-00†‡
1" IPS	SDR-11 (.119)	3259-53-1014-00†‡
1 1/4" IPS	SDR-10 (.166)	3259-53-1015-00†‡
	SDR-11 (.151)	3259-53-1015-0A
1 1/2" IPS	SDR-11 (.173)	3259-53-1016-00†‡
2" IPS	SDR-11 (.216)	3259-53-1017-00†‡



- **For sizes not listed, contact Continental Industries.**
- Pressure rating—Designed to meet or exceed pressure rating of PE pipe per 49 CFR Part 192 and ASTM D2513.
- Recommended accessories;
 - Continental's Bladed Chamfering Tool. See page 30 for size combinations available.
- † = CSA Approved / ‡ = IAPMO/UPC Listed

CON-STAB ID SEAL® Cap-N-Go Couplings

PE SIZE	WALL	PART NUMBER (3408/4710)
1/2" CTS (5/8" OD)	.090	3259-57-1004-00‡
1" CTS (1 1/8" OD)	.099/.101	3259-57-1008-00‡
	.090	3259-57-1008-AA
1/2" IPS	SDR-9.33 (.090)	3259-57-1012-00‡
3/4" IPS	SDR-11 (.095)	3259-57-1013-00‡
1" IPS	SDR-11 (.119)	3259-57-1014-00‡
1 1/4" IPS	SDR-10 (.166)	3259-57-1015-00‡
	SDR-11 (.151)	3259-57-1015-AA
2" IPS	SDR-11 (.216)	3259-57-1017-00‡



- **For sizes not listed, contact Continental Industries.**
- Pressure rating—Designed to meet or exceed pressure rating of PE pipe per 49 CFR Part 192 and ASTM D2513.
- Recommended accessories;
 - Continental's Bladed Chamfering Tool. See page 30 for size combinations available.
- ‡ = IAPMO/UPC Listed



CON-STAB ID SEAL® FITTINGS

CON-STAB ID SEAL® 3-Way Tees

PE SIZE	WALL	PART NUMBER (3408/4710)
1/2" CTS (5/8" OD)	.090	3259-50-1004-00†‡
3/4" CTS (7/8" OD)	.090	3259-50-1006-00‡
1" CTS (1 1/8" OD)	.099/.101	3259-50-1008-00†‡
	.090	3259-50-1008-AA‡
1 1/4" CTS (1 3/8" OD)	.090	3259-50-1039-AA
1/2" IPS	SDR-9.33 (.090)	3259-50-1012-00‡
3/4" IPS	SDR-11 (.095)	3259-50-1013-00†‡
1" IPS	SDR-11 (.119)	3259-50-1014-00†‡
1 1/4" IPS	SDR-10 (.166)	3369-50-1015-00*‡
	SDR-11 (.151)	3259-50-1015-AA
1 1/2" IPS	SDR-11 (.173)	3259-50-1016-00†‡
2" IPS	SDR-11 (.216)	3259-50-1017-00†‡



- **For sizes not listed, contact Continental Industries.**
- Pressure rating—Designed to meet or exceed pressure rating of PE pipe per 49 CFR Part 192 and ASTM D2513.
- Recommended accessories;
 - Continental's Bladed Chamfering Tool. See page 30 for size combinations available.
- † = CSA Approved / ‡ = IAPMO/UPC Listed
- * = 1 1/4" IPS SDR-10 Fitting is only available in PE 2406 yellow.

CON-STAB ID SEAL® 90° Elbows

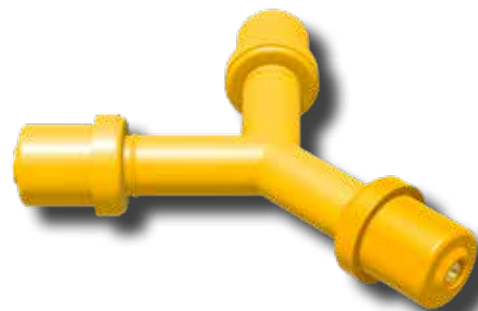
PE SIZE	WALL	PART NUMBER (3408/4710)
1/2" CTS (5/8" OD)	.090	3259-51-1004-00†‡
3/4" CTS (7/8" OD)	.090	3259-51-1006-00‡
1" CTS (1 1/8" OD)	.099/.101	3259-51-1008-00‡
	.090	3259-51-1008-AA
1 1/4" CTS (1 3/8" OD)	.090	3259-51-1039-AA
1/2" IPS	SDR-9.33 (.090)	3259-51-1012-00‡
3/4" IPS	SDR-11 (.095)	3259-51-1013-00†‡
1" IPS	SDR-11 (.119)	3259-51-1014-00†‡
1 1/4" IPS	SDR-10 (.166)	3369-51-1015-00*‡
	SDR-11 (.151)	3259-51-1015-AA
1 1/2" IPS	SDR-11 (.173)	3259-51-1016-00‡
2" IPS	SDR-11 (.216)	3259-51-1017-00†‡



- **For sizes not listed, contact Continental Industries.**
- Pressure rating—Designed to meet or exceed pressure rating of PE pipe per 49 CFR Part 192 and ASTM D2513.
- Recommended accessories;
 - Continental's Bladed Chamfering Tool. See page 30 for size combinations available.
- † = CSA Approved / ‡ = IAPMO/UPC Listed
- * = 1 1/4" IPS SDR-10 Fitting is only available in PE 2406 yellow.

CON-STAB ID SEAL® 45° Wyes

PE SIZE	WALL	PART NUMBER (2406/2708)
1/2" CTS (5/8" OD)	.090	9969-99-0007-00
1" CTS (1 1/8" OD)	.099/.101	9969-99-0009-00
3/4" IPS	SDR-11 (.095)	9969-99-0008-00



- **For sizes not listed, contact Continental Industries.**
- Pressure rating—Designed to meet or exceed pressure rating of PE pipe per 49 CFR Part 192 and ASTM D2513.
- Con-Stab ID Seal® wye fittings available only in 2406/2708 PE material.
- Recommended accessories;
 - Continental's Bladed Chamfering Tool. See page 30 for size combinations available.

CON-STAB ID SEAL® FITTINGS



CON-STAB ID SEAL® Reducer Couplings



PE SIZE	WALL	PE SIZE	WALL	PART NUMBER (3408/4710)
3/4" CTS (7/8" OD)	.090	1/2" CTS (5/8" OD)	.090	3259-54-0604-00
1" CTS (1 1/8" OD)	.099/.101	3/4" IPS	SDR-11 (.095)	3259-54-0813-00†
	.090			3259-54-0813-A0†
	.099/.101	3/4" CTS (7/8" OD)	.090	3259-54-0806-00
	.090			3259-54-0806-A0
	.099/.101	1/2" IPS	SDR-9.33 (.090)	3259-54-0812-00
	.090			3259-54-0812-A0
	.099/.101	1/2" CTS (5/8" OD)	.090	3259-54-0804-00††
.090	3259-54-0804-A0†			
1 1/4" CTS (1 3/8" OD)	.090	1" IPS	SDR-11	3259-54-3914-A0
		1" CTS (1 1/8" OD)	.099/.101	3259-54-3908-A0
			.090	3259-54-3908-AA
		3/4" IPS	SDR-11 (.095)	3259-54-3913-A0
		3/4" CTS (7/8" OD)	.090	3259-54-3906-A0
1/2" IPS	SDR-9.33 (.090)	1/2" CTS (5/8" OD)	.090	3259-54-3912-A0
1/2" IPS	SDR-9.33 (.090)	1/2" CTS (5/8" OD)	.090	3259-54-1204-00
3/4" IPS	SDR-11 (.095)	1/2" IPS	SDR-9.33 (.090)	3259-54-1312-00†
		3/4" CTS (7/8" OD)	.090	3259-54-1306-00
		1/2" CTS (5/8" OD)	.090	3259-54-1304-00††
1" IPS	SDR-11 (.119)	1" CTS (1 1/8" OD)	.099/.101	3259-54-1408-00†
			.090	3259-54-1408-0A
		3/4" IPS	SDR-11 (.095)	3259-54-1413-00††
		3/4" CTS (7/8" OD)	.090	3259-54-1406-00
		1/2" IPS	SDR-9.33 (.090)	3259-54-1412-00
1 1/4" IPS	SDR-10 (.166) SDR-11 (.151) SDR-10 (.166) SDR-11 (.151) SDR-10 (.166) SDR-11 (.151) SDR-10 (.166) SDR-11 (.151)	1/2" CTS	.090	3259-54-1404-00††
		1 1/4" IPS	SDR-11 (.151)	3259-54-1515-0A
		1 1/4" CTS (1 3/8" OD)	.090	3259-54-1539-AA
		1" IPS	SDR-11 (.119)	3259-54-1514-00†
			.099/.101	3259-54-1514-A0
		1" CTS (1 1/8" OD)	.090	3259-54-1508-00†
			.099/.101	3259-54-1508-0A
			.090	3259-54-1508-AA
1 1/2" IPS	SDR-11 (.173)	3/4" IPS	SDR-11 (.095)	3259-54-1513-00†
				3259-54-1513-A0
2" IPS	SDR-11	1 1/2" IPS	SDR-10 (.166) SDR-11 (.151)	3369-54-1615-00†* 3259-54-1615-0A
		1 1/2" IPS	SDR-11 (.173)	3259-54-1716-00†
		1 1/4" IPS	SDR-10 (.166)	3369-54-1715-00*
		1 1/4" CTS (1 3/8" OD)	SDR-11 (.151)	3259-54-1715-0A
		1" IPS	SDR-11 (.119)	3259-54-1739-0A
		1" CTS (1 1/8" OD)	.099/.101	3259-54-1714-00
	.090	3259-54-1708-00		

- For sizes not listed, contact Continental Industries.
- Pressure rating—Designed to meet or exceed pressure rating of PE pipe per 49 CFR Part 192 and ASTM D2513.
- Recommended accessories;
 - Continental's Bladed Chamfering Tool. See page 30 for size combinations available.
- † = CSA Approved / ‡ = IAPMO/UPC Listed
- * = These fittings are only available in PE 2406 yellow.

CON-STAB ID SEAL® P.E. x Copper Transition Couplings



PE SIZE	WALL	COPPER SIZE	PART NUMBER (3408/4710)
1/2" CTS (5/8" OD)	.090	1/4" OD	9943-99-0062-00†
		3/8" OD	9943-99-0063-00 ††
		1/2" OD	9943-99-0064-00 ††
		5/8" OD	9943-99-0065-00†
3/4" IPS	SDR-11 (.095)	5/8" OD	9943-99-0066-00†

- For sizes not listed, contact Continental Industries.
- Pressure rating—Designed to meet or exceed pressure rating of PE pipe per 49 CFR Part 192 and ASTM D2513.
- Recommended accessories;
 - Continental's Bladed Chamfering Tool. See page 30 for size combinations available.
- 45° Copper Flare made in accordance with SAE J513.
- Forged Flare nut made to ASTM B 283.
- † = CSA Approved / ‡ = IAPMO/UPC Listed



CON-STAB ID SEAL® FITTINGS

CON-STAB ID SEAL® 3-Way Reducing Tees



PE SIZE (Run)	WALL	PE SIZE (Branch)	WALL	PART NUMBER (3408/4710)	PART NUMBER (2406/2708)
1/2" CTS (5/8" OD)	.090	1" CTS (1 1/8" OD)	.099/.101	3259-49-0408-00	3369-49-0408-00
		1" CTS (1 1/8" OD)	.090	3259-49-0408-0A	3369-49-0408-0A
		3/4" IPS	SDR-11 (.095)	3259-49-0413-00	3369-49-0413-00
3/4" CTS (7/8" OD)	.090	1/2" CTS (5/8" OD)	.090	3259-49-0604-00	3369-49-0604-00
1" CTS (1 1/8" OD)	.099/.101	3/4" CTS (7/8" OD)	.090	3259-49-0806-00	3369-49-0806-00
	.090			3259-49-0806-0A	3369-49-0806-0A
	.099/.101	1/2" CTS (5/8" OD)	.090	3259-49-0804-00 ‡	3369-49-0804-00
	.090			3259-49-0804-0A	3369-49-0804-0A
1 1/4" CTS (1 3/8" OD)	.090	1/2" CTS (5/8" OD)	.090	3259-49-3904-A0	3369-49-3904-A0
1/2" IPS	SDR-9.33 (.090)	1/2" CTS (5/8" OD)	.090	3259-49-1204-00	3369-49-1204-00
3/4" IPS	SDR-11 (.095)	1/2" CTS (5/8" OD)	.090	3259-49-1304-00 ‡	3369-49-1304-00
1" IPS	SDR-11 (.119)	1" CTS (1 1/8" OD)	.099/.101	3259-49-1408-00	3369-49-1408-00
			.090	3259-49-1408-0A	3369-49-1408-0A
		3/4" IPS	SDR-11 (.095)	3259-49-1413-00 ‡	3369-49-1413-00
		3/4" CTS (7/8" OD)	.090	3259-49-1406-00	3369-49-1406-00
		1/2" IPS	SDR-9.33 (.090)	3259-49-1412-00	3369-49-1412-00
1/2" CTS	.090	3259-49-1404-00 ‡	3369-49-1404-00		
1 1/4" IPS	SDR-10 (.166)	1" CTS (1 1/8" OD)	.099/.101	NOT AVAILABLE	3369-49-1508-00
	SDR-11 (.151)		.090	NOT AVAILABLE	3369-49-1508-0A
			.099/.101	3259-49-1508-A0	NOT AVAILABLE
	SDR-10 (.166)	3/4" IPS	.090	3259-49-1508-AA	NOT AVAILABLE
	SDR-11 (.151)		SDR-11 (.095)	NOT AVAILABLE	3369-49-1513-00
	SDR-10 (.166)		NOT AVAILABLE	3259-49-1513-A0	NOT AVAILABLE
SDR-11 (.151)	1/2" CTS (5/8" OD)	.090	NOT AVAILABLE	3369-49-1504-00	
3259-49-1504-A0	NOT AVAILABLE				
1 1/2" IPS	SDR-11 (.173)	1 1/4" IPS	SDR-10 (.166)	Not Available	3369-49-1615-00†‡
2" IPS	SDR-11	1 1/2" IPS	SDR-11 (.151)	3259-49-1615-0A	Not Available
			SDR-11 (.173)	3259-49-1716-00 ‡	3369-49-1716-00
		1 1/4" IPS	SDR-10 (.166)	Not Available	3369-49-1715-00†‡
		1" IPS	SDR-11 (.151)	3259-49-1715-0A	Not Available
		1" CTS (1 1/8" OD)	SDR-11 (.119)	3259-49-1714-00	3369-49-1714-00
.099/.101	3259-49-1708-00 ‡	3369-49-1708-00			
.090	3259-49-1708-0A	3369-49-1708-0A			

- For sizes not listed, contact Continental Industries.
- Pressure rating—Designed to meet or exceed pressure rating of PE pipe per 49 CFR Part 192 and ASTM D2513.
- Recommended accessories;
 - Continental's Bladed Chamfering Tool. See page 30 for size combinations available.
- † = CSA Approved / ‡ = IAPMO/UPC Listed



CON-STAB ID SEAL® Repair Couplings



PE SIZE	WALL	LENGTH	PART NUMBER (3408/4710)	PART NUMBER (2406/2708)
1/2" CTS (5/8" OD)	.090	8"	0459-56-0800-00	0469-56-0800-00
		12"	0459-56-1200-00‡	0469-56-1200-00‡
		24"	0459-56-2400-00	0469-56-2400-00
3/4" CTS (7/8" OD)	.090	8"	0659-56-0800-00	0669-56-0800-00
		12"	0659-56-1200-00	0669-56-1200-00
		24"	0659-56-2400-00	0669-56-2400-00
1" CTS (1 1/8" OD)	.099/.101	8"	0859-56-0800-00	0869-56-0800-00
		12"	0859-56-1200-00‡	0869-56-1200-00‡
		24"	0859-56-2400-00	0869-56-2400-00
	.090	8"	0859-56-0800-AA	0869-56-0800-AA
		12"	0859-56-1200-AA‡	0869-56-1200-AA‡
		24"	0859-56-2400-AA	0869-56-2400-AA
1 1/4" CTS (1 3/8" OD)	.090	8"	3959-56-0800-AA	3969-56-0800-AA
		12"	3959-56-1200-AA	3969-56-1200-AA
		24"	3959-56-2400-AA	3969-56-2400-AA
1/2" IPS	SDR-9.33 (.090)	8"	1259-56-0800-00	1269-56-0800-00
		12"	1259-56-1200-00	1269-56-1200-00
		24"	1259-56-2400-00	1269-56-2400-00
3/4" IPS	SDR-11 (.095)	8"	1359-56-0800-00	1369-56-0800-00
		12"	1359-56-1200-00‡	1369-56-1200-00‡
		24"	1359-56-2400-00	1369-56-2400-00
1" IPS	SDR-11 (.119)	8"	1459-56-0800-00	1469-56-0800-00
		12"	1459-56-1200-00‡	1469-56-1200-00‡
		24"	1459-56-2400-00	1469-56-2400-00

- **For sizes not listed, contact Continental Industries.**
- Pressure rating—Designed to meet or exceed pressure rating of PE pipe per 49 CFR Part 192 and ASTM D2513.
- Recommended accessories;
 - Continental's Bladed Chamfering Tool. See page 30 for size combinations available.
- For 1 1/4" IPS and 2" IPS Repair Couplings, see Scope® Repair Couplings on pg 10.
- ‡ = IAPMO/UPC Listed



CON-STAB ID SEAL® FITTINGS

CON-STAB ID SEAL® Fusion Saddle Tees



OUTLET (PE SIZE)	WALL	Main Size	PUNCH SIZE	PART NUMBER (3408/4710) (RECTANGULAR BASE)	PART NUMBER (2406/2708) (RECTANGULAR BASE)		
1/2" CTS (5/8" OD)	.090	1 1/4"	.800"	3259-15-4104-00	3369-15-4204-00		
		2"	.800"	3259-17-4104-00	3369-17-4204-00		
		3"	.800"	3259-19-4104-00	3369-19-4204-00		
		4"	.800"	3259-21-4104-00	3369-21-4204-00		
		6"	.800"	3259-24-4104-00	3369-24-4204-00		
		8"	.800"	3259-26-4104-00	3369-26-4204-00		
3/4" CTS (7/8" OD)	.090	1 1/4"	.800"	3259-15-4106-00	3369-15-4206-00		
		2"	.800"	3259-17-4106-00	3369-17-4206-00		
		3"	.800"	3259-19-4106-00	3369-19-4206-00		
		4"	.800"	3259-21-4106-00	3369-21-4206-00		
		6"	.800"	3259-24-4106-00	3369-24-4206-00		
		8"	.800"	3259-26-4106-00	3369-26-4206-00		
1" CTS (1 1/8" OD)	.099/.101	1 1/4"	.800"	3259-15-4108-00	3369-15-4208-00		
		2"	.800"	3259-17-4108-00	3369-17-4208-00		
		3"	.800"	3259-19-4108-00	3369-19-4208-00		
		4"	.800"	3259-21-4108-00	3369-21-4208-00		
		6"	.800"	3259-24-4108-00	3369-24-4208-00		
		8"	.800"	3259-26-4108-00	3369-26-4208-00		
	.090	1 1/4"	.800"	3259-15-4108-0A	3369-15-4208-0A		
		2"	.800"	3259-17-4108-0A	3369-17-4208-0A		
		3"	.800"	3259-19-4108-0A	3369-19-4208-0A		
		4"	.800"	3259-21-4108-0A	3369-21-4208-0A		
		6"	.800"	3259-24-4108-0A	3369-24-4208-0A		
		8"	.800"	3259-26-4108-0A	3369-26-4208-0A		
		1/2" IPS	SDR-9.33 (.090)	1 1/4"	.800"	3259-15-4112-00	3369-15-4212-00
				2"	.800"	3259-17-4112-00	3369-17-4212-00
3"	.800"			3259-19-4112-00	3369-19-4212-00		
4"	.800"			3259-21-4112-00	3369-21-4212-00		
6"	.800"			3259-24-4112-00	3369-24-4212-00		
8"	.800"			3259-26-4112-00	3369-26-4212-00		
3/4" IPS	SDR-11 (.095)	1 1/4"	.800"	3259-15-4113-00	3369-15-4213-00		
		2"	.800"	3259-17-4113-00	3369-17-4213-00		
		3"	.800"	3259-19-4113-00	3369-19-4213-00		
		4"	.800"	3259-21-4113-00	3369-21-4213-00		
		6"	.800"	3259-24-4113-00	3369-24-4213-00		
		8"	.800"	3259-26-4113-00	3369-26-4213-00		
1" IPS	SDR-11 (.119)	1 1/4"	.800"	3259-15-4114-00	3369-15-4214-00		
		2"	.800"	3259-17-4114-00	3369-17-4214-00		
		3"	.800"	3259-19-4114-00	3369-19-4214-00		
		4"	.800"	3259-21-4114-00	3369-21-4214-00		
		6"	.800"	3259-24-4114-00	3369-24-4214-00		
		8"	.800"	3259-26-4114-00	3369-26-4214-00		

- For sizes not listed, contact Continental Industries.
- Pressure rating—Designed to meet or exceed pressure rating of PE pipe per 49 CFR Part 192 and ASTM D2513.
- Recommended accessories;
 - Continental's Bladed Chamfering Tool. See page 30 for size combinations available.
- For Protective Sleeves, see page 32.
- For Con-Stab ID Seal® Fusion Saddles with EFV's, contact Continental Industries.



THE SCOPE® Expandable Repair Joint

Call it a pipe stretcher if you'd like. We call it The Scope®—the new, safe solution for quicker and easier repairs and main extensions, exclusively from Continental!



The innovative design of The Scope® compresses to fit a removed section of piping. Just put it in place and extend it for the final connection—with the versatility of Con-Stab I.D. Seal® fittings, or butt fused joints.

Think of it! You can now enjoy great savings in time, labor and money



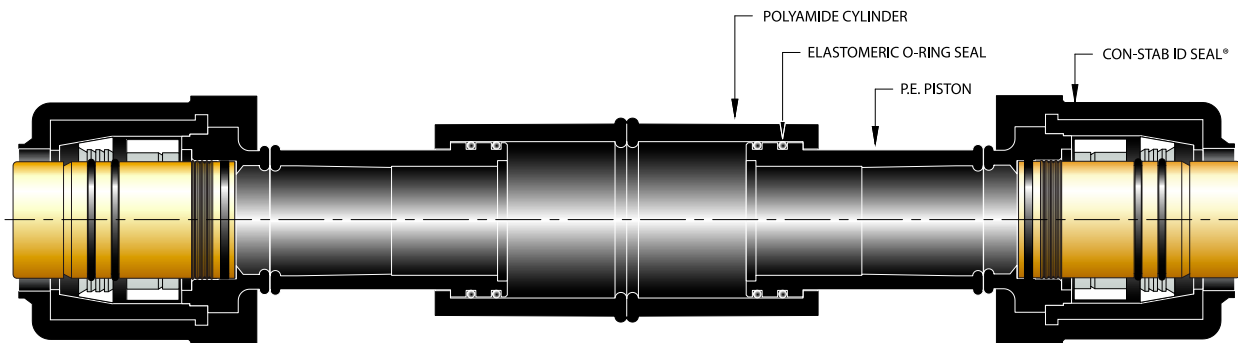
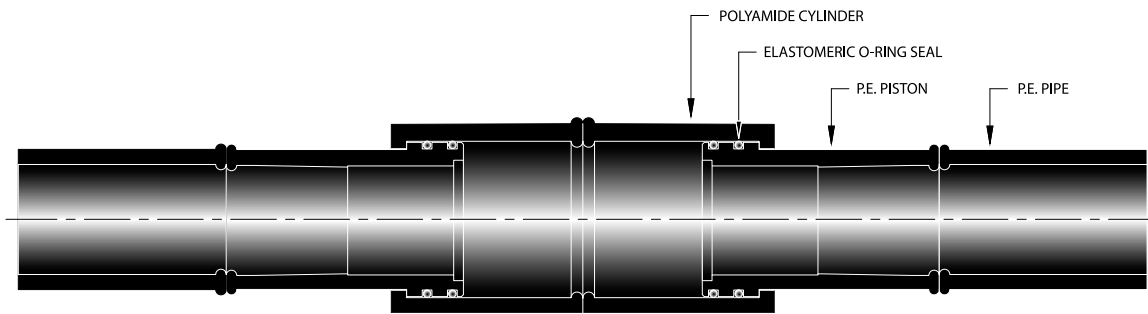
with each repair, while delivering a greater margin of safety for installers and long-term reliable service!

Plus, The Scope® features even more: Telescoping action affords a larger

margin of error on cut outs. You excavate less. And with its durable all-plastic construction, you don't need cathodic protection.

Most of all, The Scope® is safe and reliable. It meets or exceeds ASTM and DOT requirements. It's designed to operate at the MAOP of any PE piping system. And it comes pre-air tested to allow complete compliance and documentation of every repair.

Available in a variety of sizes. Contact Continental today for more information about The Scope®—the closest thing to a pipe stretcher you'll ever find.





SCOPE® REPAIR FITTINGS

THE SCOPE® Expandable Repair Couplings



PE SIZE	WALL	STYLE OUTLET	LENGTH	PART NUMBER (3408/4710)	PART NUMBER (2406/2708)	ACTUAL REPAIR LENGTH
3/4" CTS (7/8" OD)	.090	Con-Stab	14"	3238-14-4406-00	N/A	13 1/2" to 14"
		Con-Stab	26"	3238-26-4406-00	3338-26-4606-00	25 1/2" to 26"
1" CTS (1 1/8" OD)	.099/.101	Con-Stab	14"	3238-14-4408-00	N/A	13 1/2" to 14"
		Con-Stab	26"	3238-26-4408-00	3338-26-4608-00	25 1/2" to 26"
	.090	Con-Stab	14"	3238-14-4408-AA	N/A	13 1/2" to 14"
		Con-Stab	26"	3238-26-4408-AA	3338-26-4608-AA	25 1/2" to 26"
1/2" IPS	SDR-9.3 (.090)	Con-Stab	14"	3238-14-4412-00	N/A	13 1/2" to 14"
Con-Stab		26"	3238-26-4412-00	3338-26-4612-00	25 1/2" to 26"	
3/4" IPS	SDR-11 (.095)	Con-Stab	14"	3238-14-4413-00	N/A	13 1/2" to 14"
Con-Stab		26"	3238-26-4413-00	3338-26-4613-00	25 1/2" to 26"	
1" IPS	SDR-11 (.119)	Con-Stab	14"	3238-14-4414-00	N/A	13 1/2" to 14"
		Con-Stab	26"	3238-26-4414-00	3338-26-4614-00	25 1/2" to 26"
1 1/4" IPS	SDR-10 (.166)	Con-Stab	14"	3238-14-4415-00 ‡	N/A	13 1/2" to 14"
		Con-Stab	26"	N/A	3338-26-4615-00	25 1/2" to 26"
		Con-Stab	38"	N/A	3338-38-4615-00	37 1/2" to 38"
		Con-Stab	50"	N/A	3338-50-4615-00	49 1/2" to 50"
	SDR-11 (.151)	Con-Stab	14"	3238-14-4415-AA	N/A	13 1/2" to 14"
		Con-Stab	26"	3238-26-4415-AA	3338-26-4615-AA	25 1/2" to 26"
		Con-Stab	38"	3238-38-4415-AA	3338-38-4615-AA	37 1/2" to 38"
		Con-Stab	50"	3238-50-4415-AA	3338-50-4615-AA	49 1/2" to 50"
1 1/2" IPS	SDR-11 (.173)	Con-Stab	14"	3238-14-4416-00	N/A	13 1/2" to 14"
		Con-Stab	26"	3238-26-4416-00	3338-26-4616-00	25 1/2" to 26"
		Con-Stab	38"	3238-38-4416-00	3338-38-4616-00	37 1/2" to 38"
		Con-Stab	50"	3238-50-4416-00	3338-50-4616-00	49 1/2" to 50"
2" IPS	SDR-11 (.216)	Con-Stab	14"	3238-14-4417-00 ‡	N/A	13 1/2" to 14"
		Con-Stab	26"	3238-26-4417-00	3338-26-4617-00	25 1/2" to 26"
		Con-Stab	38"	3238-38-4417-00	3338-38-4617-00	37 1/2" to 38"
		Con-Stab	50"	3238-50-4417-00	3338-50-4617-00	49 1/2" to 50"
PE SIZE	WALL	STYLE OUTLET	LENGTH	PART NUMBER (3408/4710)	PART NUMBER (2406/2708)	ACTUAL REPAIR LENGTH
1 1/4" IPS	SDR-10 (.166)	Fusion	19"	3237-19-4415-00	N/A	16" to 19"
		Fusion	27"	N/A	3337-27-4615-00	16" to 27"
		Fusion	39"	N/A	3337-39-4615-00	16" to 39"
		Fusion	51"	N/A	3337-51-4615-00	16" to 51"
	SDR-11 (.151)	Fusion	19"	3237-19-4415-AA	N/A	16" to 19"
		Fusion	27"	3237-27-4415-AA	3337-27-4615-AA	16" to 27"
		Fusion	39"	3237-39-4415-AA	3337-39-4615-AA	16" to 39"
		Fusion	51"	3237-51-4415-AA	3337-51-4615-AA	16" to 51"
2" IPS	SDR-11 (.216)	Fusion	19"	3237-19-4417-00	N/A	16" to 19"
		Fusion	27"	3237-27-4417-00	3337-27-4617-00	16" to 27"
		Fusion	39"	3237-39-4417-00	3337-39-4617-00	16" to 39"
		Fusion	51"	3237-51-4417-00	3337-51-4617-00	16" to 51"

- For sizes not listed, contact Continental Industries.
- Pressure rating—Designed to meet or exceed pressure rating of PE pipe per 49 CFR Part 192 and ASTM D2513.
- Recommended accessories;
 - Continental's Bladed Chamfering Tool. See page 30 for size combinations available.
- ‡ = IAPMO/UPC Listed



Contact Continental Industries about
Con-Stab ID Seal® x PVC Scope® Expandable Repair Couplings



PA CON-STAB ID SEAL® ELIMINATORS Plastic Saddle Punch Tee For Use On All PVC and PE Mains

The changing challenges of today's gas industry demand a better option for making lateral connections to plastic gas pipe. Your absolute best option is now the Eliminator mechanical saddle.

Faster. No preparation/set-up time for auxiliary tooling. Installation with the Eliminator mechanical saddle takes just one man only seven minutes, compared to fusion saddles that require two men 30 minutes, to complete an installation. Eliminates the cooling time before removing clamps, before the pressure test, or before tapping the main. Only one tool—a "T" wrench—is required. And auxiliary equipment like generators, extension cords, clamps, scrapers, or special holding fixtures are NOT required.

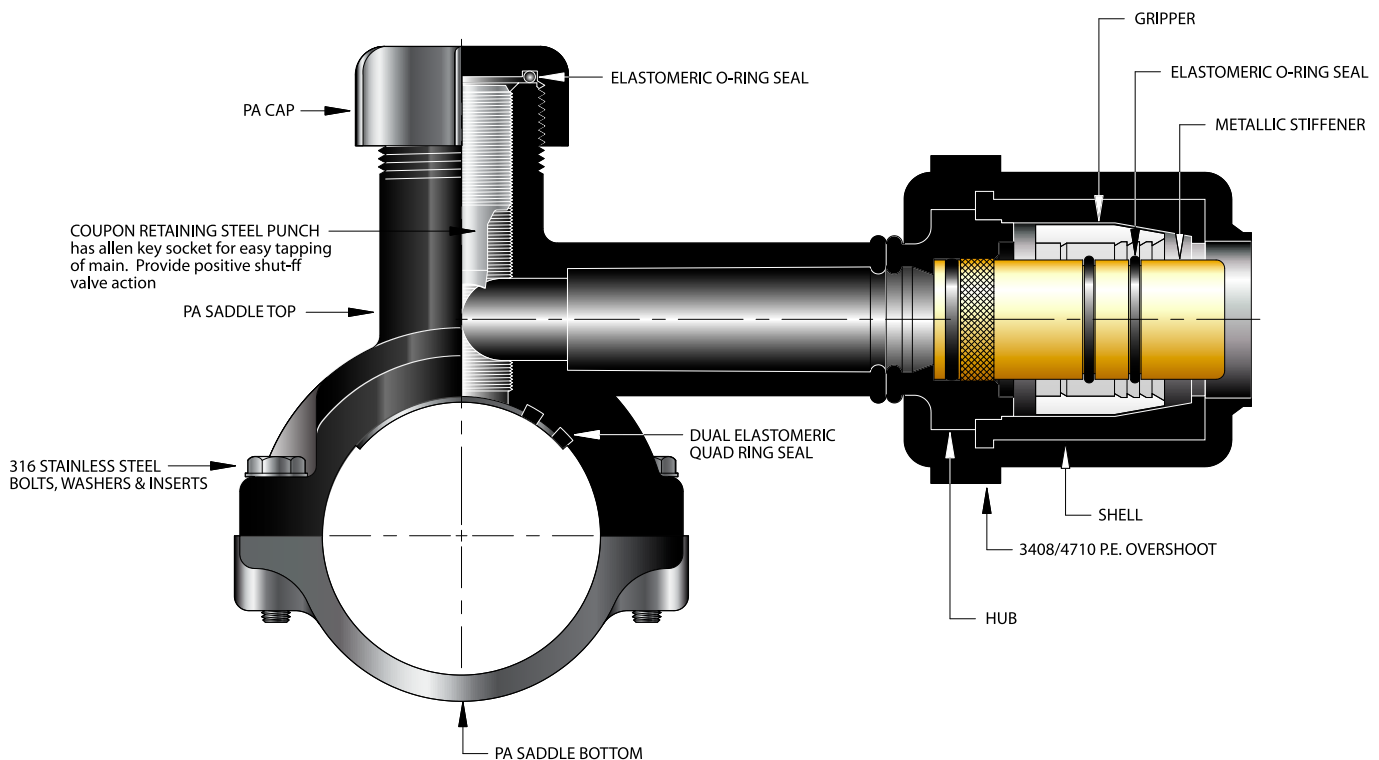
Easier. The Eliminator works on ALL kinds of pipe material...with a simple, consistent assembly process with visual indicators. This assembly does not require complex measurement devices, just easy to follow guidelines. The 3-step installation (bolt, stab and tap) is the simplest yet and the same procedure is used for 3408/4710, 2406/2708, 2306, 3306 or PVC mains. Calibration is NOT required. And finally, the Eliminator easily accommodates field variables like out-of-roundness, coiled pipe, weather, scratches, and pressure testing.

More Economical. It isn't hard to figure out that by requiring only one man 7 minutes to install the Eliminator, instead of the usual 2 men spending 30 minutes...the labor savings are significant. Plus there are no long-term maintenance costs of equipment and reduced training costs.

Safer. With the Eliminator, there's no chance of shocks from electrical equipment, chance of burns from heater plates, and no difficulties often experienced with pressured piping.

Superior Dependability. The Eliminator remains the market leader since its development in 1968. The Eliminator has been successfully installed millions of times...millions. The superior design ensures safe operations at elevated internal pressures and the ability to exceed all requirements of ASTM F 1924. And you can count on the Eliminator connection to endure in the most severe environmental conditions.

Choose the Eliminator or else forget about enjoying superior time and cost savings, reduced safety risks, and one of the industry's highest performance reputations.





CON-STAB ID SEAL® ELIMINATORS

CON-STAB ID SEAL® ELIMINATORS

OUTLET (PE SIZE)	WALL	MAIN SIZE	PART NUMBER	
			5864 1/2" CR PUNCH	5764 13/16" CR PUNCH
1/2" CTS (5/8" OD)	.090	1"	5864-14-1604-00	N/A
		1 1/4"	5864-15-1604-00†‡	N/A
		1 1/2"	5864-16-1604-00	5764-16-1604-00
		2"	5864-17-1604-00‡	5764-17-1604-00†‡
		3"	5864-19-1604-00	5764-19-1604-00†
		4"	5864-21-1604-00	5764-21-1604-00†
		6"	5864-24-1604-00	5764-24-1604-00†
		8"	N/A	5764-26-1604-00
1" CTS (1 1/8" OD)	.099/.101	1"	5864-14-1608-00	N/A
		1 1/4"	5864-15-1608-00†‡	N/A
		1 1/2"	5864-16-1608-00	5764-16-1608-00
		2"	5864-17-1608-00	5764-17-1608-00†‡
		3"	5864-19-1608-00	5764-19-1608-00
		4"	5864-21-1608-00	5764-21-1608-00
		6"	5864-24-1608-00	5764-24-1608-00
		8"	N/A	5764-26-1608-00
	.090	1"	5864-14-1608-0A	N/A
		1 1/4"	5864-15-1608-0A	N/A
		1 1/2"	5864-16-1608-0A	5764-16-1608-0A
		2"	5864-17-1608-0A	5764-17-1608-0A
		3"	5864-19-1608-0A	5764-19-1608-0A
		4"	5864-21-1608-0A	5764-21-1608-0A
		6"	5864-24-1608-0A	5764-24-1608-0A
		8"	N/A	5764-26-1608-0A
1/2" IPS	SDR-9.33 (.090)	1"	5864-14-1612-00	N/A
		1 1/4"	5864-15-1612-00	N/A
		1 1/2"	5864-16-1612-00	5764-16-1612-00
		2"	5864-17-1612-00	5764-17-1612-00
		3"	5864-19-1612-00	5764-19-1612-00
		4"	5864-21-1612-00	5764-21-1612-00
		6"	5864-24-1612-00	5764-24-1612-00
		8"	N/A	5764-26-1612-00
3/4" IPS	SDR-11 (.095)	1"	5864-14-1613-00	N/A
		1 1/4"	5864-15-1613-00†‡	N/A
		1 1/2"	5864-16-1613-00	5764-16-1613-00
		2"	5864-17-1613-00‡	5764-17-1613-00†
		3"	5864-19-1613-00	5764-19-1613-00†
		4"	5864-21-1613-00	5764-21-1613-00†
		6"	5864-24-1613-00	5764-24-1613-00†
		8"	N/A	5764-26-1613-00
1" IPS	SDR-11 (.119)	1"	5864-14-1614-00	N/A
		1 1/4"	5864-15-1614-00†‡	N/A
		1 1/2"	5864-16-1614-00	5764-16-1614-00
		2"	5864-17-1614-00	5764-17-1614-00†‡
		3"	5864-19-1614-00	5764-19-1614-00†
		4"	5864-21-1614-00	5764-21-1614-00†
		6"	5864-24-1614-00	5764-24-1614-00†
		8"	N/A	5764-26-1614-00



- For sizes not listed, contact Continental Industries.
- Pressure rating: 100psig MAOP
49 CFR Part 192 and ASTM D2513.
- Recommended accessories;
 - Continental's Bladed Chamfering Tool. See page 30 for size combinations available.
 - 33-5505-00 ~ Combination Tapping Tool & Saddle Bolt "T" Wrench for 1" thru 6" IPS Eliminators (pg 30)
 - 33-5505-01 ~ Combination Tapping Tool & Saddle Bolt "T" Wrench for 3" thru 8" IPS Eliminators (pg 30)
 - 33-5508-00 ~ Test Plug Cap for Eliminator Saddles (pg 30)
- For Con-Stab ID Seal® Eliminators with EFV's, contact Continental Industries.
- For Protective Sleeves, see page 32.
- † = CSA Approved / ‡ = IAPMO/UPC Listed



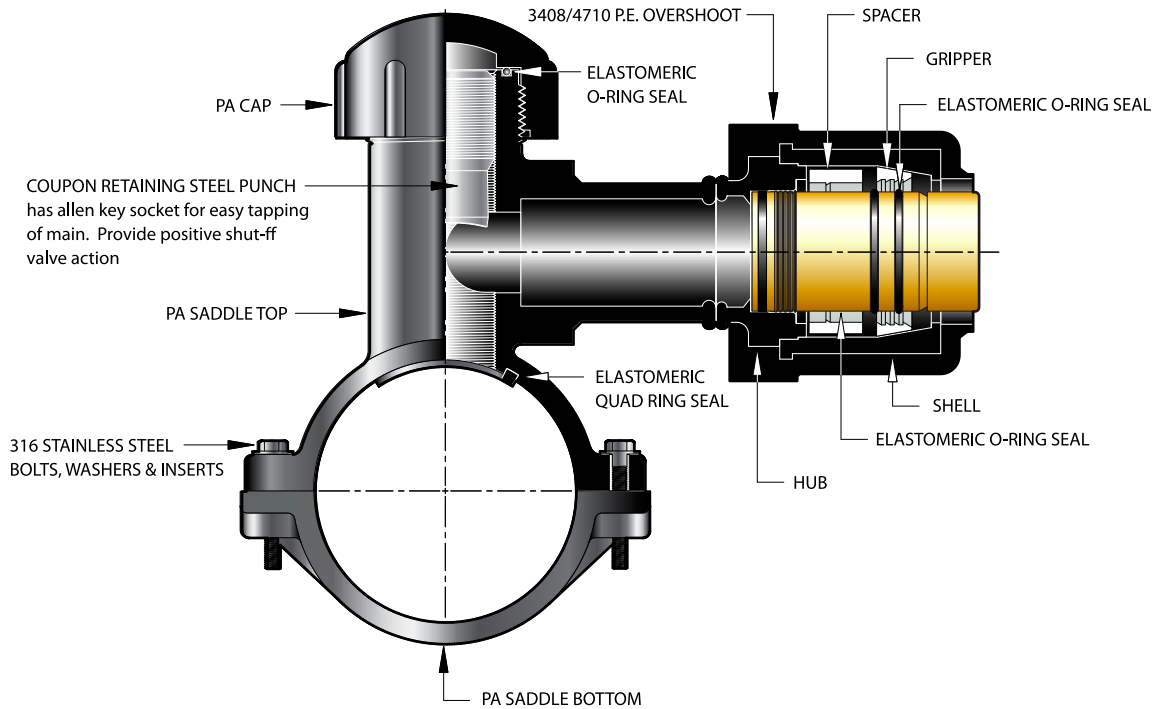
33-5505-00 & 33-5505-01
Combination Tapping Tool & Saddle
Bolt "T" Wrench (pg 30)

The Eliminator can be used on a variety of plastic fuel gas piping.



HIGH VOLUME TEE (HVT) CON-STAB ID SEAL® ELIMINATORS

Plastic Saddle Punch Tee For Use On All PVC and PE Mains



With today's labor and economic conditions, you need a better option for making 1 1/4" and 2" lateral connections to plastic pipe. Continental's High Volume Tee is the only mechanical saddle that offers a 1 1/2" coupon retaining punch to minimize flow restrictions and maximize gas flow. Continental's High Volume Tee is available for 2", 3" 4", and 6" plastic pipe. Furthermore, you can choose Con-Stab or Compression outlets for your lateral connection.

Easy to install. The HVT can be used on a variety of plastic fuel gas piping. Visual indicators make repeatable successful installation a cinch. The 2-stage installation is the simplest yet and the same procedure is used for 3408/4710, 2406/2708, 2306, 3306 or PVC. Calibration is NOT required. And finally, the HVT easily accommodates field variable like out-of-roundness, coiled pipe, weather, and pressure testing.

Fast. Whereas fusion saddles require two men approximately 45 minutes to complete an installation of a single tee, installation with the HVT mechanical saddle takes just one man only 10 minutes. There's no cooling time necessary before removing clamps, before the pressure test, or before tapping the main. Auxiliary equipment like computerized controllers, generators, extension cords, clamps, scrappers, or special holding fixtures are NOT required.

Economical. It isn't hard to figure out that by requiring only one man 10 minutes to install the HVT, instead of the usual fusion method...the manpower savings are significant. Plus there are no long-term maintenance costs of equipment and reduced training requirements.

Safe. With the HVT, there's no chance of shocks from electrical equipment, no chance of burns from heater plates, and no difficulties often experienced with saddle fusions made to pressurized mains.

Superior Dependability. The market leader since its development in 1968. The HVT has been successfully installed millions of times...millions. The innovative design and advanced sealing methodology utilized means the extended life of the piping system. And you can count on the HVT connection to endure in the most severe environmental conditions. The superior design ensures safe operations at elevated internal pressures and the ability to exceed all requirements of ASTM F 1924.

For all your high volume lateral connections on plastic pipe, choose the super easy HVT.



CON-STAB ID SEAL® ELIMINATORS

CON-STAB ID SEAL® HVT ELIMINATORS

OUTLET (PE SIZE)	WALL	MAIN SIZE	PART NUMBER
1 1/4" IPS	SDR-10 (.166)	2"	5664-17-1615-00
		3"	5664-19-1615-00
		4"	5664-21-1615-00
		6"	5664-24-1615-00
	SDR-11 (.151)	2"	5664-17-1615-0A
		3"	5664-19-1615-0A
		4"	5664-21-1615-0A
		6"	5664-24-1615-0A
2" IPS	SDR-11 (.216)	2"	5664-17-1617-00
		3"	5664-19-1617-00
		4"	5664-21-1617-00
		6"	5664-24-1617-00

- For sizes not listed, contact Continental Industries.
- Pressure rating—Designed to meet or exceed pressure rating of PE pipe per 49 CFR Part 192 and ASTM D2513.
- Recommended accessories;
 - Continental's Bladed Chamfering Tool. See page 30 for size combinations available.
 - 33-4363-00 ~ 1/2" Square Drive Key, Bushing and Socket Adapter (pg 30)
 - 33-6290-00 ~ Test Plug Cap for Eliminator Saddles (pg 30)
- For Protective Sleeves, see page 32.



33-4363-00 ~ 1/2" Square Drive Key, Bushing and Socket Adapter (pg 30)

➤ AVAILABLE WITH:

- 2" to 6" IPS mains
- Stab or compression outlet
- 1 1/2" coupon retaining punch

➤ INCREASED PRESSURE CAPABILITY:

- Eliminator Pressure Rating : 100psig MAOP
- PA saddles elevated temperature code CE

➤ POLYAMIDE MATERIAL (PA):

- Used for 30 years in gas industry
- Listed material in ASTM D 2513
- Superior chemical resistance
- PA is stronger than PE
- Elevated temperature performance

➤ FULL CIRCUMFERENTIAL COMPRESSION

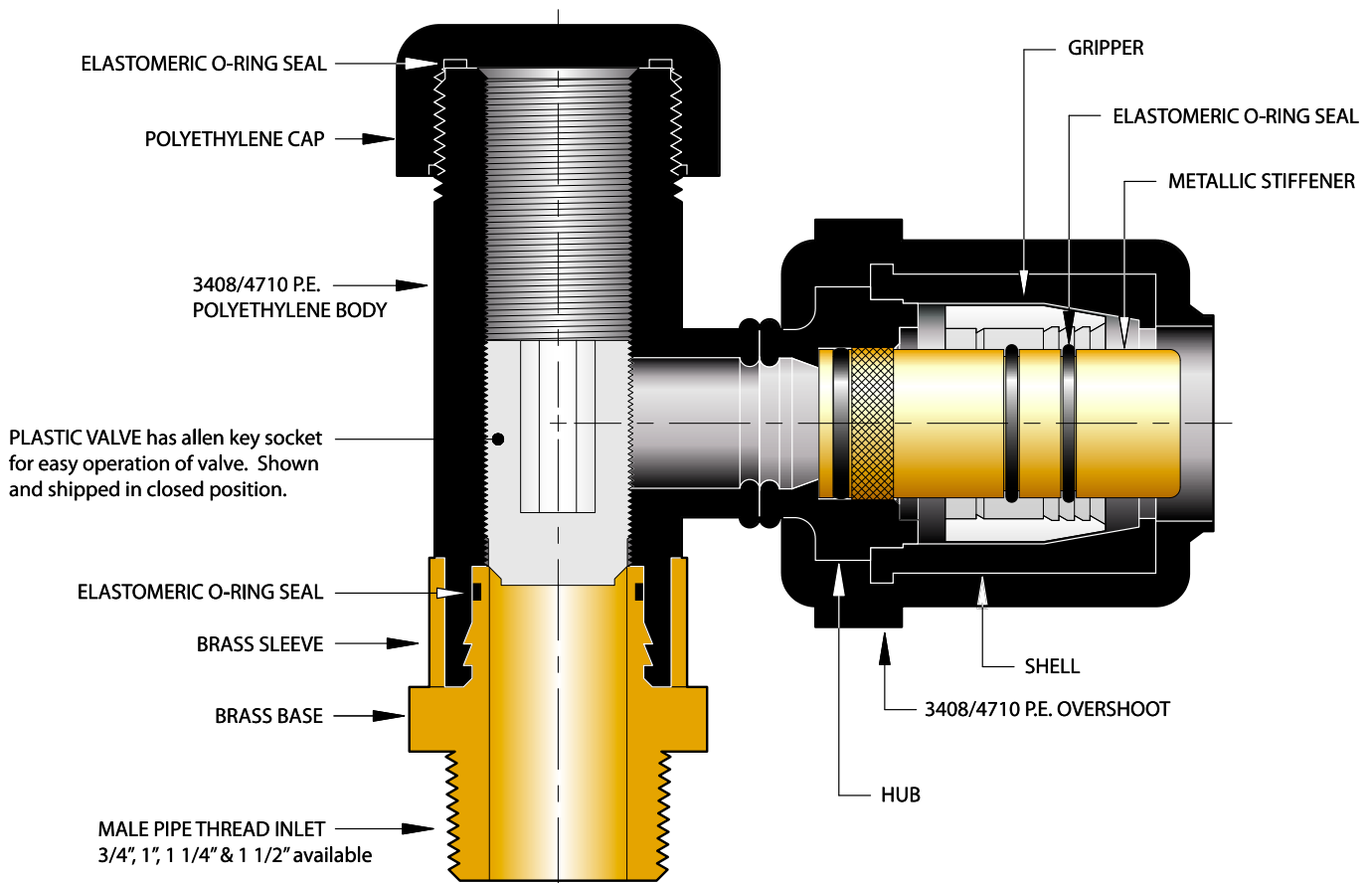
- Stable foundation
- Rotation resistance
- Equal stress distribution
- Simple tapping procedure



The HVT can be used on a variety of plastic fuel gas piping.

POLYETHYLENE VALVE TEE For Use On Cast Iron Mains

The polyethylene valve tee provides a new efficient method of attaching services to cast iron mains. The polyethylene valve tee can be attached to any size metallic main through standard drill and tap operations. The valve tee incorporates corrosion resistant materials (brass and polyethylene). The innovative design provides a low profile tee which makes it less vulnerable to damage. Each valve tee utilizes a threaded internal plug for gas shut off and a brass base that can be swivelled 360° to simplify the connection to the service. The valve tee design has been tested to meet or exceed all D.O.T. and ASTM requirements and can be operated at 75 psig. All of these features combine to provide the most cost effective method for attaching polyethylene services to cast iron mains.



- AVAILABLE WITH A CON-STAB ID SEAL® OR BUTT FUSION OUTLET
- CORROSION RESISTANT
- MEETS OR EXCEEDS ALL D.O.T. AND ASTM REQUIREMENTS
- ASTM B62 BRASS SLEEVE AND BASE
- CAN BE ROTATED 360° AFTER BEING INSTALLED ON MAIN
- ASSEMBLED READY TO INSTALL
- CAN WITHSTAND 150 PSI AIR TEST WITH NO LEAK TO THE MAIN



PE VALVE TEE For Use On Metallic Mains

OUTLET (PE SIZE)	WALL	INLET SIZE	PART NUMBER (3408/4710)
1/2" CTS (5/8" OD)	.090	3/4"	1332-11-1604-00
		1"	1432-11-1604-00
		1 1/4"	1532-11-1604-00
		1 1/2"	1632-11-1604-00
3/4" CTS (7/8" OD)	.090	3/4"	1332-11-1606-00
		1"	1432-11-1606-00
		1 1/4"	1532-11-1606-00
1" CTS (1 1/8" OD)	.099/.101	3/4"	1332-11-1608-00
		1"	1432-11-1608-00
		1 1/4"	1532-11-1608-00
	.090	1 1/2"	1632-11-1608-0A
		3/4"	1332-11-1608-0A
		1"	1432-11-1608-0A
		1 1/4"	1532-11-1608-0A
1 1/4" CTS (1 3/8" OD)	.090	1 1/2"	1632-11-1608-0A
		3/4"	1332-11-1639-0A
		1"	1432-11-1639-0A
		1 1/4"	1532-11-1639-0A
1/2" IPS	SDR-9.33 (.090)	1 1/2"	1632-11-1639-0A
		3/4"	1332-11-1612-00
		1"	1432-11-1612-00
		1 1/4"	1532-11-1612-00
3/4" IPS	SDR-11 (.095)	1 1/2"	1632-11-1612-00
		3/4"	1332-11-1613-00
		1"	1432-11-1613-00
		1 1/4"	1532-11-1613-00
1" IPS	SDR-11 (.119)	1 1/2"	1632-11-1613-00
		3/4"	1332-11-1614-00
		1"	1432-11-1614-00
		1 1/4"	1532-11-1614-00
		1 1/2"	1632-11-1614-00



- For sizes not listed, contact Continental Industries.
- PE Valve Tees rated at 75 psig.
- Recommended accessories;
 - Continental's Bladed Chamfering Tool. See page 30 for size combinations available.
- For Protective Sleeves, see page 32.

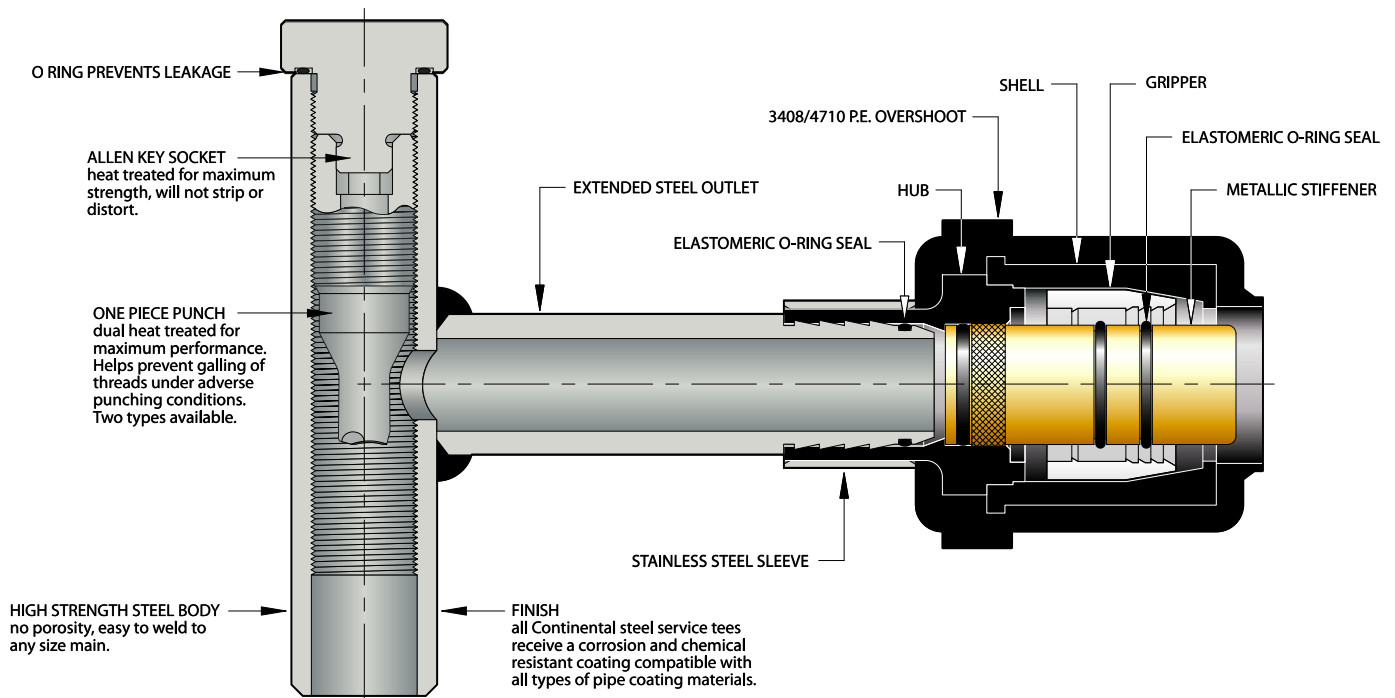


Contact Continental Industries about PE Valve Tees with a Con-Stab ID Seal® Swing Joint.



CON-STAB ID SEAL® TRANSITION SERVICE PUNCH TEES WITH SEAL PLUG CAP

The Most Foolproof, Versatile, Economical Punch Tee Available!



- CAP SCREWS DOWN INSIDE TEE BODY
- O-RING IN CAP PREVENTS LEAKAGE, NO NEED FOR TEFLON TAPE OR THREAD SEALANT
- CAP CAN BE TIGHTENED BY HAND TO SEAL AT 800 PSI
- WELDS ARE TESTED TO 800 PSI
- PUNCH PROVIDES POSITIVE VALVE ACTION AT MAIN
- FAST - NO BULKY DRILLING EQUIPMENT NEEDED
- SAFE - NO BLOWING OF GAS
- TWO TYPES OF PUNCHES AVAILABLE (SEE PG 31)
- AVAILABLE IN WELD, THREADED OR SADDLE INLETS



TRANSITION PUNCH TEES

1201 & 1302 STYLE TRANSITION SERVICE PUNCH TEES Con-Stab ID Seal® Outlets

OUTLET (PE SIZE)	WALL	INLET	PART NUMBER (3408/4710)	PUNCH SIZE
1/2" CTS (5/8" OD)	.090	1/2" Weld	1201-09-3204-00	3/8" CR
		1/2" Threaded	1201-12-3204-00	
		3/4" Weld	1302-09-3204-00	
		3/4" Threaded	1302-12-3204-00	
3/4" CTS (7/8" OD)	.090	1/2" Weld	1201-09-3206-00	3/8" CR
		1/2" Threaded	1201-12-3206-00	
		3/4" Weld	1302-09-3206-00	
		3/4" Threaded	1302-12-3206-00	
1" CTS (1 1/8" OD)	.099/.101	1/2" Weld	1201-09-3208-00	3/8" CR
		1/2" Threaded	1201-12-3208-00	
		3/4" Weld	1302-09-3208-00	
		3/4" Threaded	1302-12-3208-00	
	.090	1/2" Weld	1201-09-3208-0A	
		1/2" Threaded	1201-12-3208-0A	
		3/4" Weld	1302-09-3208-0A	
		3/4" Threaded	1302-12-3208-0A	
1/2" IPS	SDR-9.33 (.090)	1/2" Weld	1201-09-3212-00	3/8" CR
		1/2" Threaded	1201-12-3212-00	
		3/4" Weld	1302-09-3212-00	
		3/4" Threaded	1302-12-3212-00	
3/4" IPS	SDR-11 (.095)	1/2" Weld	1201-09-3213-00	3/8" CR
		1/2" Threaded	1201-12-3213-00	
		3/4" Weld	1302-09-3213-00	
		3/4" Threaded	1302-12-3213-00	

- **For sizes not listed, contact Continental Industries.**
- Pressure rating—Designed to meet or exceed pressure rating of PE pipe per 49 CFR Part 192 and ASTM D2513.
- For optional punch sizes, see page 31.
- Recommended accessories;
 - Continental's Bladed Chamfering Tool. See page 30 for size combinations available.
 - 23-3691-00 ~ 5/16" Hex Drive Key, Bushing and Socket Adapter for 1201 Style Tees (pg 31)
 - 23-3692-00 ~ 3/8" Hex Drive Key, Bushing and Socket Adapter for 1302 Style Tees (pg 31)
 - 23-1644-00 ~ Test Plug Adapter for 1201 Style Tees (pg 31)
 - 23-1645-00 ~ Test Plug Adapter for 1302 Style Tees (pg 31)
- For Protective Sleeves, see page 32.
- For additional Accessories, see page 31.

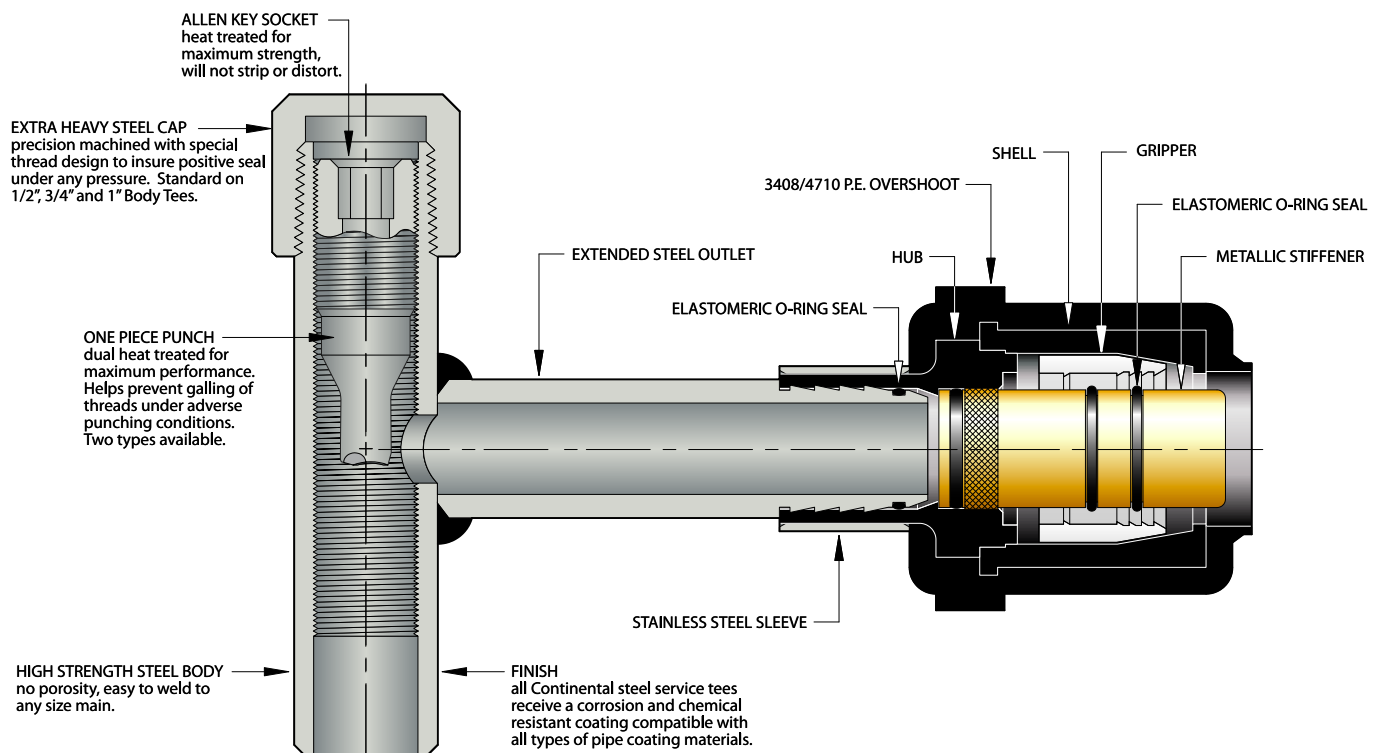


23-3691-00 & 23-3692-00
Hex Drive Key, Bushing and Socket Adapter
for 1201 & 1302 Style Tees (pg 31)



CON-STAB ID SEAL[®] TRANSITION SERVICE PUNCH TEES WITH PIPE CAP

The Most Foolproof, Versatile, Economical Punch Tee Available!



- WELDS ARE TESTED TO 800 PSI
- PUNCH PROVIDES POSITIVE VALVE ACTION AT MAIN
- FAST - NO BULKY DRILLING EQUIPMENT NEEDED
- SAFE - NO BLOWING OF GAS
- TWO TYPES OF PUNCHES AVAILABLE (SEE PG 31)
- AVAILABLE IN WELD, THREADED OR SADDLE INLETS



TRANSITION PUNCH TEES

1214, 1315 & 1416 STYLE TRANSITION SERVICE PUNCH TEES Con-Stab ID Seal® Outlets

OUTLET (PE SIZE)	WALL	INLET	PART NUMBER (3408/4710)	PUNCH SIZE
1/2" CTS (5/8" OD)	.090	1/2" Weld	1214-09-3204-00	3/8" CR
		1/2" Threaded	1214-12-3204-00	
		3/4" Weld	1315-09-3204-00	
		3/4" Threaded	1315-12-3204-00	
3/4" CTS (7/8" OD)	.090	1/2" Weld	1214-09-3206-00	3/8" CR
		1/2" Threaded	1214-12-3206-00	
		3/4" Weld	1315-09-3206-00	
		3/4" Threaded	1315-12-3206-00	
1" CTS (1 1/8" OD)	.099/.101	1/2" Weld	1214-09-3208-00	3/8" CR
		1/2" Threaded	1214-12-3208-00	
		3/4" Weld	1315-09-3208-00	
		3/4" Threaded	1315-12-3208-00	
	.090	1" Weld	1416-09-3208-00	3/4" CR
		1" Threaded	1416-12-3208-00	
		1/2" Weld	1214-09-3208-0A	3/8" CR
		1/2" Threaded	1214-12-3208-0A	
		3/4" Weld	1315-09-3208-0A	
		3/4" Threaded	1315-12-3208-0A	
1/2" IPS	SDR-9.33 (.090)	1/2" Weld	1214-09-3212-00	3/8" CR
		1/2" Threaded	1214-12-3212-00	
		3/4" Weld	1315-09-3212-00	
		3/4" Threaded	1315-12-3212-00	
3/4" IPS	SDR-11 (.095)	1/2" Weld	1214-09-3213-00	3/8" CR
		1/2" Threaded	1214-12-3213-00	
		3/4" Weld	1315-09-3213-00	
		3/4" Threaded	1315-12-3213-00	
		1" Weld	1416-09-3213-00	3/4" CR
		1" Threaded	1416-12-3213-00	

- For sizes not listed, contact Continental Industries.
- Pressure rating—Designed to meet or exceed pressure rating of PE pipe per 49 CFR Part 192 and ASTM D2513.
- For optional punch sizes, see page 31.
- Recommended accessories;
 - Continental's Bladed Chamfering Tool. See page 30 for size combinations available.
 - 23-3691-00 ~ 5/16" Hex Drive Key, Bushing and Socket Adapter for 1214 Style Tees (pg 31)
 - 23-3692-00 ~ 3/8" Hex Drive Key, Bushing and Socket Adapter for 1315 Style Tees (pg 31)
 - 23-0941-00 ~ 1/2" Square Drive Key, Bushing and Socket Adapter for 1416 Style Tees (pg 31)
- For Protective Sleeves, see page 32.
- For additional Accessories, see page 31.



23-3691-00 & 23-3692-00
Hex Drive Key, Bushing and Socket Adapter
for 1214 & 1315 Style Tees (pg 31)



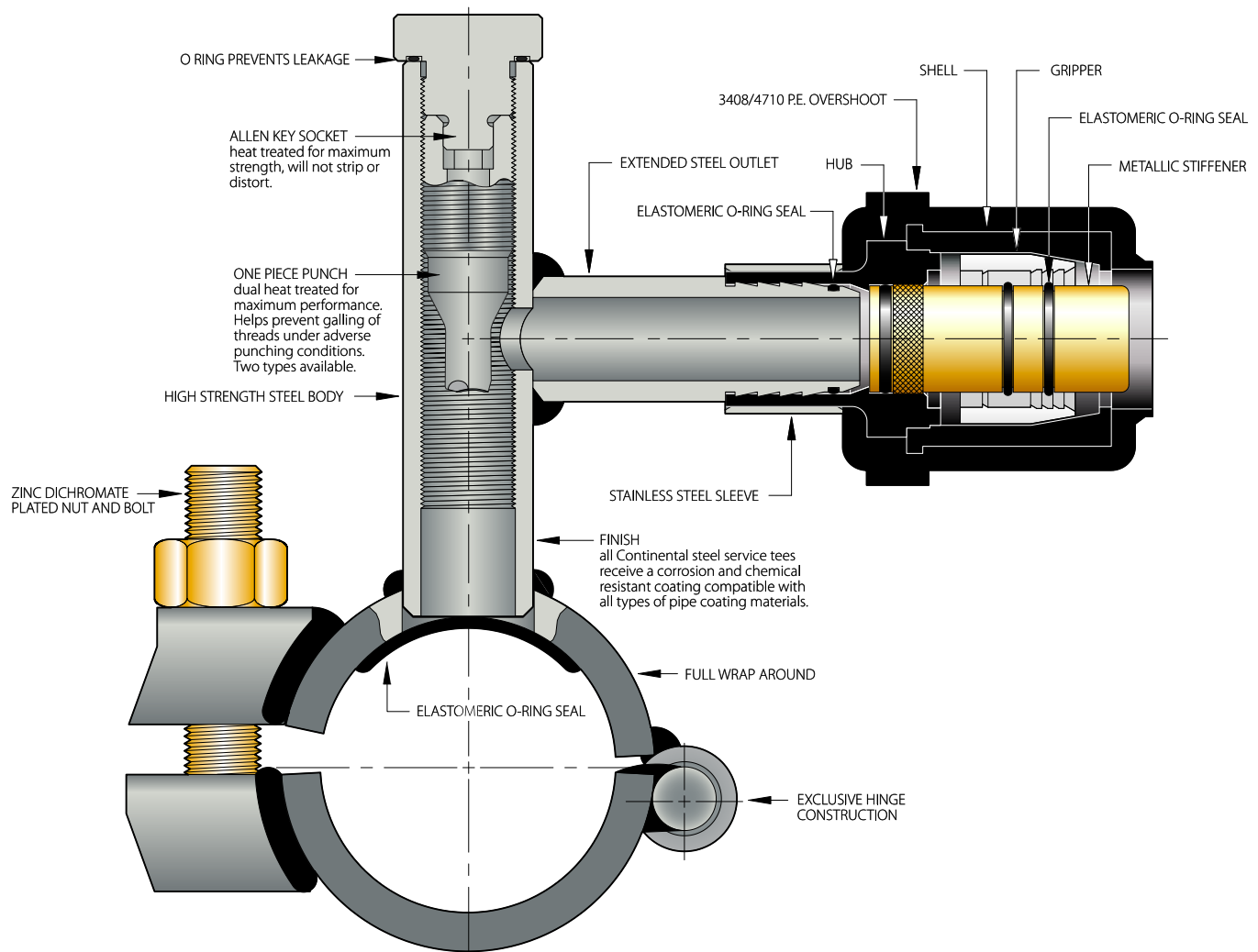
23-0941-00
Hex Drive Key, Bushing and Socket Adapter
for 1416 Style Tees (pg 31)





CON-STAB ID SEAL® STEEL SERVICE SADDLE PUNCH TEES WITH SEAL PLUG CAP

The Most Foolproof, Versatile, Economical Punch Tee Available!



➤ SAME GREAT FEATURES FOUND ON THE SEAL PLUG CAP STYLE PUNCH TEES (SEE PAGE 18)

PLUS THE SADDLE PROVIDES;

- RUGGED ALL STEEL CONSTRUCTION
- FULL WRAP AROUND
- ELASTOMERIC O-RING SEAL
- EXCLUSIVE HINGE CONSTRUCTION
- USES SINGLE ZINC DICHROMATE PLATED NUT AND BOLT

NOTE: STANDARD SADDLES TEES ARE FURNISHED WITH OUTLET PERPENDICULAR TO THE MAIN. CONTACT CONTINENTAL FOR OUTLETS PARALLEL TO THE MAIN.



TRANSITION SADDLE PUNCH TEES

1201 & 1302 STYLE TRANSITION SADDLE PUNCH TEES Con-Stab ID Seal® Outlets

OUTLET (PE SIZE)	WALL	Body Size	Main Size	PUNCH SIZE	PART NUMBER (3408/4710)	
1/2" CTS (5/8" OD)	.090	1/2"	3/4"	3/8" CR	1201-13-3204-00	
		3/4"			1302-13-3204-00	
		1/2"	1"	3/8" CR	1201-14-3204-00	
		3/4"			1302-14-3204-00	
		1/2"	1 1/4"	3/8" CR	1201-15-3204-00	
		3/4"			1302-15-3204-00	
		1/2"	2"	3/8" CR	1201-17-3204-00	
		3/4"			1302-17-3204-00	
		1/2"	3"	3/8" CR	1201-19-3204-00	
		3/4"			1302-19-3204-00	
		1/2"	4"	3/8" CR	1201-21-3204-00	
		3/4"			1302-21-3204-00	
1/2"	6"	3/8" CR	1201-24-3204-00			
3/4"			1302-24-3204-00			
3/4" CTS (7/8" OD)	.090	1/2"	3/4"	3/8" CR	1201-13-3206-00	
		3/4"			1302-13-3206-00	
		1/2"	1"	3/8" CR	1201-14-3206-00	
		3/4"			1302-14-3206-00	
		1/2"	1 1/4"	3/8" CR	1201-15-3206-00	
		3/4"			1302-15-3206-00	
		1/2"	2"	3/8" CR	1201-17-3206-00	
		3/4"			1302-17-3206-00	
		1/2"	3"	3/8" CR	1201-19-3206-00	
		3/4"			1302-19-3206-00	
		1/2"	4"	3/8" CR	1201-21-3206-00	
		3/4"			1302-21-3206-00	
1/2"	6"	3/8" CR	1201-24-3206-00			
3/4"			1302-24-3206-00			
1" CTS (1 1/8" OD)	.099/.101	1/2"	3/4"	3/8" CR	1201-13-3208-00	
		3/4"			1302-13-3208-00	
		1/2"	1"	3/8" CR	1201-14-3208-00	
		3/4"			1302-14-3208-00	
		1/2"	1 1/4"	3/8" CR	1201-15-3208-00	
		3/4"			1302-15-3208-00	
		1/2"	2"	3/8" CR	1201-17-3208-00	
		3/4"			1302-17-3208-00	
		1/2"	3"	3/8" CR	1201-19-3208-00	
		3/4"			1302-19-3208-00	
		1/2"	4"	3/8" CR	1201-21-3208-00	
		3/4"			1302-21-3208-00	
	1/2"	6"	3/8" CR	1201-24-3208-00		
	3/4"			1302-24-3208-00		
	.090	.090	1/2"	3/4"	3/8" CR	1201-13-3208-0A
			3/4"			1302-13-3208-0A
			1/2"	1"	3/8" CR	1201-14-3208-0A
			3/4"			1302-14-3208-0A
			1/2"	1 1/4"	3/8" CR	1201-15-3208-0A
			3/4"			1302-15-3208-0A
			1/2"	2"	3/8" CR	1201-17-3208-0A
			3/4"			1302-17-3208-0A
			1/2"	3"	3/8" CR	1201-19-3208-0A
			3/4"			1302-19-3208-0A
1/2"			4"	3/8" CR	1201-21-3208-0A	
3/4"					1302-21-3208-0A	
1/2"	6"	3/8" CR	1201-24-3208-0A			
3/4"			1302-24-3208-0A			

CONTINUED ON NEXT PAGE



23-3691-00 & 23-3692-00
Hex Drive Key, Bushing and Socket Adapter
for 1201 & 1302 Style Tees (pg 31)

- For sizes not listed, contact Continental Industries.
- Pressure rating—Designed to meet or exceed pressure rating of PE pipe per 49 CFR Part 192 and ASTM D2513.
- For optional punch sizes, see page 31.
- Recommended accessories;
 - Continental's Bladed Chamfering Tool. See page 30 for size combinations available.
 - 23-3691-00 ~ 5/16" Hex Drive Key, Bushing and Socket Adapter for 1201 Style Tees (pg 31)
 - 23-3692-00 ~ 3/8" Hex Drive Key, Bushing and Socket Adapter for 1302 Style Tees (pg 31)
 - 23-1644-00 ~ Test Plug Adapter for 1201 Style Tees (pg 31)
 - 23-1645-00 ~ Test Plug Adapter for 1302 Style Tees (pg 31)
- For Protective Sleeves, see page 32.
- For additional Accessories, see page 31.

TRANSITION SADDLE PUNCH TEES



1201 & 1302 STYLE TRANSITION SADDLE PUNCH TEES Con-Stab ID Seal® Outlets

OUTLET (PE SIZE)	WALL	BODY SIZE	MAIN SIZE	PUNCH SIZE	PART NUMBER (3408/4710)
1/2" IPS	SDR-9.33 (.090)	1/2"	3/4"	3/8" CR	1201-13-3212-00
		3/4"			1302-13-3212-00
		1/2"	1"	3/8" CR	1201-14-3212-00
		3/4"			1302-14-3212-00
		1/2"	1 1/4"	3/8" CR	1201-15-3212-00
		3/4"			1302-15-3212-00
		1/2"	2"	3/8" CR	1201-17-3212-00
		3/4"			1302-17-3212-00
		1/2"	3"	3/8" CR	1201-19-3212-00
		3/4"			1302-19-3212-00
		1/2"	4"	3/8" CR	1201-21-3212-00
		3/4"			1302-21-3212-00
		1/2"	6"	3/8" CR	1201-24-3212-00
		3/4"			1302-24-3212-00
3/4" IPS	SDR-11 (.095)	1/2"	3/4"	3/8" CR	1201-13-3213-00
		3/4"			1302-13-3213-00
		1/2"	1"	3/8" CR	1201-14-3213-00
		3/4"			1302-14-3213-00
		1/2"	1 1/4"	3/8" CR	1201-15-3213-00
		3/4"			1302-15-3213-00
		1/2"	2"	3/8" CR	1201-17-3213-00
		3/4"			1302-17-3213-00
		1/2"	3"	3/8" CR	1201-19-3213-00
		3/4"			1302-19-3213-00
		1/2"	4"	3/8" CR	1201-21-3213-00
		3/4"			1302-21-3213-00
		1/2"	6"	3/8" CR	1201-24-3213-00
		3/4"			1302-24-3213-00

- For sizes not listed, contact Continental Industries.
- Pressure rating—Designed to meet or exceed pressure rating of PE pipe per 49 CFR Part 192 and ASTM D2513.
- For optional punch sizes, see page 31.
- Recommended accessories;
 - Continental's Bladed Chamfering Tool. See page 30 for size combinations available.
 - 23-3691-00 ~ 5/16" Hex Drive Key, Bushing and Socket Adapter for 1201 Style Tees (pg 31)
 - 23-3692-00 ~ 3/8" Hex Drive Key, Bushing and Socket Adapter for 1302 Style Tees (pg 31)
 - 23-1644-00 ~ Test Plug Adapter for 1201 Style Tees (pg 31)
 - 23-1645-00 ~ Test Plug Adapter for 1302 Style Tees (pg 31)
- For Protective Sleeves, see page 32.
- For additional Accessories, see page 31.



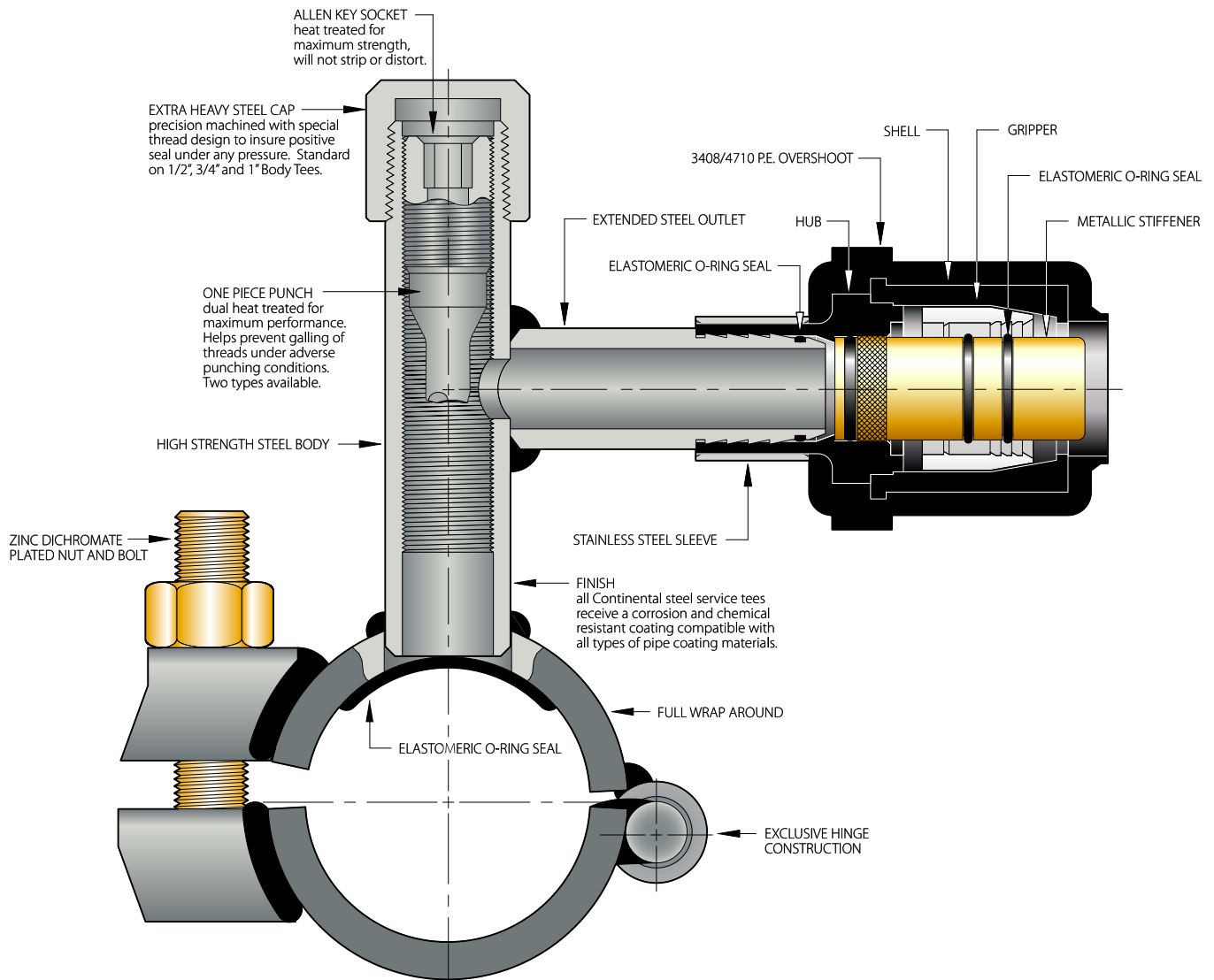
23-3691-00 & 23-3692-00
Hex Drive Key, Bushing and Socket Adapter
for 1201 & 1302 Style Tees (pg 31)



TRANSITION SADDLE PUNCH TEES

CON-STAB ID SEAL® STEEL SERVICE SADDLE PUNCH TEES WITH PIPE CAP

The Most Foolproof, Versatile, Economical Punch Tee Available!



➤ SAME GREAT FEATURES FOUND ON THE PIPE CAP STYLE PUNCH TEES (SEE PAGE 20)

PLUS THE SADDLE PROVIDES;

- RUGGED ALL STEEL CONSTRUCTION
- FULL WRAP AROUND
- ELASTOMERIC O-RING SEAL
- EXCLUSIVE HINGE CONSTRUCTION
- USES SINGLE ZINC DICHROMATE PLATED NUT AND BOLT

NOTE: STANDARD SADDLES TEES ARE FURNISHED WITH OUTLET PERPENDICULAR TO THE MAIN.
CONTACT CONTINENTAL FOR OUTLETS PARALLEL TO THE MAIN.

TRANSITION SADDLE PUNCH TEES



1214, 1315 & 1416 STYLE TRANSITION SADDLE PUNCH TEES Con-Stab ID Seal® Outlets

OUTLET (PE SIZE)	WALL	Body Size	Main Size	PUNCH SIZE	PART NUMBER (3408/4710)	
1/2" CTS (5/8" OD)	.090	1/2"	3/4"	3/8" CR	1214-13-3204-00	
		3/4"			1315-13-3204-00	
		1/2"	1"	3/8" CR	1214-14-3204-00	
		3/4"			1315-14-3204-00	
		1/2"	1 1/4"	3/8" CR	1214-15-3204-00	
		3/4"			1315-15-3204-00	
		1/2"	2"	3/8" CR	1214-17-3204-00	
		3/4"			1315-17-3204-00	
		1/2"	3"	3/8" CR	1214-19-3204-00	
		3/4"			1315-19-3204-00	
		1/2"	4"	3/8" CR	1214-21-3204-00	
		3/4"			1315-21-3204-00	
1/2"	6"	3/8" CR	1214-24-3204-00			
3/4"			1315-24-3204-00			
3/4" CTS (7/8" OD)	.090	1/2"	3/4"	3/8" CR	1214-13-3206-00	
		3/4"			1315-13-3206-00	
		1/2"	1"	3/8" CR	1214-14-3206-00	
		3/4"			1315-14-3206-00	
		1/2"	1 1/4"	3/8" CR	1214-15-3206-00	
		3/4"			1315-15-3206-00	
		1/2"	2"	3/8" CR	1214-17-3206-00	
		3/4"			1315-17-3206-00	
		1/2"	3"	3/8" CR	1214-19-3206-00	
		3/4"			1315-19-3206-00	
		1/2"	4"	3/8" CR	1214-21-3206-00	
		3/4"			1315-21-3206-00	
1/2"	6"	3/8" CR	1214-24-3206-00			
3/4"			1315-24-3206-00			
1" CTS (1 1/8" OD)	.099/.101	3/4"	3/4"	3/8" CR	1315-13-3208-00	
		3/4"	1"	3/8" CR	1315-14-3208-00	
		3/4"	1 1/4"	3/8" CR	1315-15-3208-00	
		1"		3/4" CR	1416-15-3208-00	
		3/4"	2"	3/8" CR	1315-17-3208-00	
		1"		3/4" CR	1416-17-3208-00	
		3/4"	3"	3/8" CR	1315-19-3208-00	
		1"		3/4" CR	1416-19-3208-00	
		3/4"	4"	3/8" CR	1315-21-3208-00	
		1"		3/4" CR	1416-21-3208-00	
		3/4"	6"	3/8" CR	1315-24-3208-00	
		1"		3/4" CR	1416-24-3208-00	
	.090	.090	3/4"	3/4"	3/8" CR	1315-13-3208-0A
			3/4"	1"	3/8" CR	1315-14-3208-0A
			3/4"	1 1/4"	3/8" CR	1315-15-3208-0A
			1"		3/4" CR	1416-15-3208-0A
			3/4"	2"	3/8" CR	1315-17-3208-0A
			1"		3/4" CR	1416-17-3208-0A
			3/4"	3"	3/8" CR	1315-19-3208-0A
			1"		3/4" CR	1416-19-3208-0A
			3/4"	4"	3/8" CR	1315-21-3208-0A
			1"		3/4" CR	1416-21-3208-0A
			3/4"	6"	3/8" CR	1315-24-3208-0A
			1"		3/4" CR	1416-24-3208-0A

CONTINUED ON NEXT PAGE



23-3691-00 & 23-3692-00
Hex Drive Key, Bushing and Socket Adapter
for 1214 & 1315 Style Tees (pg 31)



23-0941-00
Hex Drive Key, Bushing and Socket Adapter
for 1416 Style Tees (pg 31)

- For sizes not listed, contact Continental Industries.
- Pressure rating—Designed to meet or exceed pressure rating of PE pipe per 49 CFR Part 192 and ASTM D2513.
- For optional punch sizes, see page 31.
- Recommended accessories;
 - Continental's Bladed Chamfering Tool. See page 30 for size combinations available.
 - 23-3691-00 ~ 5/16" Hex Drive Key, Bushing and Socket Adapter for 1214 Style Tees (pg 31)
 - 23-3692-00 ~ 3/8" Hex Drive Key, Bushing and Socket Adapter for 1315 Style Tees (pg 31)
 - 23-0941-00 ~ 1/2" Square Drive Key, Bushing and Socket Adapter for 1416 Style Tees (pg 31)
- For Protective Sleeves, see page 32.
- For additional Accessories, see page 31.



TRANSITION SADDLE PUNCH TEES

1214, 1315 & 1416 STYLE TRANSITION SADDLE PUNCH TEES Con-Stab ID Seal® Outlets

OUTLET (PE SIZE)	WALL	Body Size	Main Size	PUNCH SIZE	PART NUMBER (3408/4710)
1/2" IPS	SDR-9.33 (.090)	1/2"	3/4"	3/8" CR	1214-13-3212-00
		3/4"			1315-13-3212-00
		1/2"	1"	3/8" CR	1214-14-3212-00
		3/4"			1315-14-3212-00
		1/2"	1 1/4"	3/8" CR	1214-15-3212-00
		3/4"			1315-15-3212-00
		1/2"	2"	3/8" CR	1214-17-3212-00
		3/4"			1315-17-3212-00
		1/2"	3"	3/8" CR	1214-19-3212-00
		3/4"			1315-19-3212-00
		1/2"	4"	3/8" CR	1214-21-3212-00
		3/4"			1315-21-3212-00
		1/2"	6"	3/8" CR	1214-24-3212-00
		3/4"			1315-24-3212-00
3/4" IPS	SDR-11 (.095)	3/4"	3/4"	3/8" CR	1315-13-3213-00
		3/4"	1"	3/8" CR	1315-14-3213-00
		3/4"	1 1/4"	3/8" CR	1315-15-3213-00
		1"		3/4" CR	1416-15-3213-00
		3/4"	2"	3/8" CR	1315-17-3213-00
		1"		3/4" CR	1416-17-3213-00
		3/4"	3"	3/8" CR	1315-19-3213-00
		1"		3/4" CR	1416-19-3213-00
		3/4"	4"	3/8" CR	1315-21-3213-00
		1"		3/4" CR	1416-21-3213-00
		3/4"	6"	3/8" CR	1315-24-3213-00
		1"		3/4" CR	1416-24-3213-00



- For sizes not listed, contact Continental Industries.
- Pressure rating—Designed to meet or exceed pressure rating of PE pipe per 49 CFR Part 192 and ASTM D2513.
- For optional punch sizes, see page 31.
- Recommended accessories;
 - Continental's Bladed Chamfering Tool. See page 30 for size combinations available.
 - 23-3691-00 ~ 5/16" Hex Drive Key, Bushing and Socket Adapter for 1214 Style Tees (pg 31)
 - 23-3692-00 ~ 3/8" Hex Drive Key, Bushing and Socket Adapter for 1315 Style Tees (pg 31)
 - 23-0941-00 ~ 1/2" Square Drive Key, Bushing and Socket Adapter for 1416 Style Tees (pg 31)
- For Protective Sleeves, see page 32.
- For additional Accessories, see page 31.



23-3691-00 & 23-3692-00
Hex Drive Key, Bushing and Socket Adapter
for 1214 & 1315 Style Tees (pg 31)

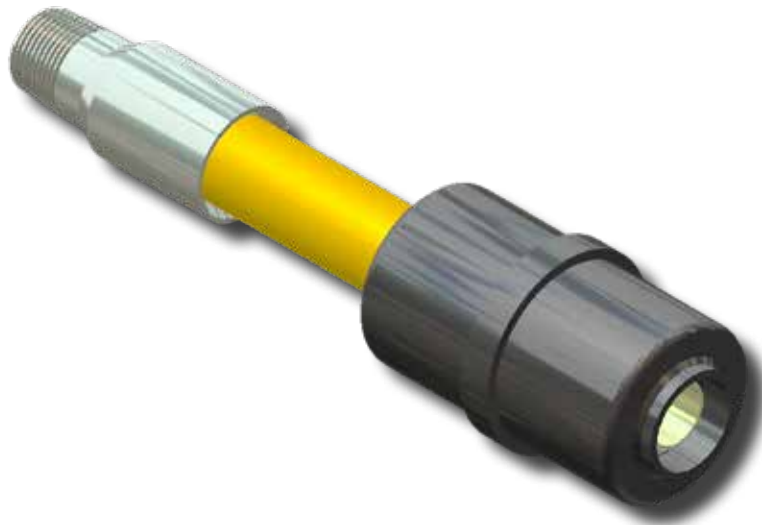
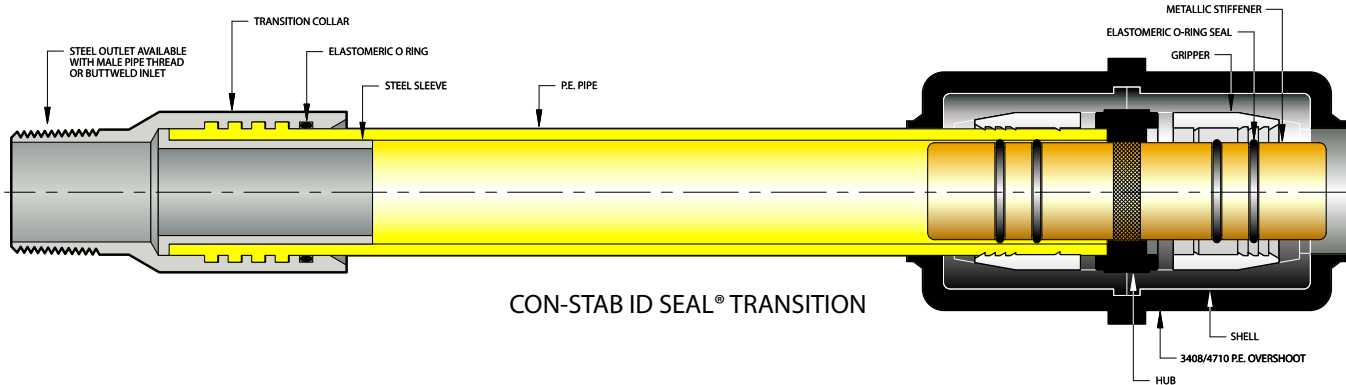


23-0941-00
Hex Drive Key, Bushing and Socket Adapter
for 1416 Style Tees (pg 31)



CON-STAB ID SEAL® TRANSITION FITTINGS

Con-Stab ID Seal® x Pipe Thread or Weld End
For Joining Polyethylene Pipe To Metallic Pipe



FEATURES

- ▶ O-RING SEAL PROVIDES POSITIVE SEAL
- ▶ ZINC PLATED FOR CORROSION PROTECTION
- ▶ MECHANICALLY HELD - PROVIDES MAXIMUM PULL-OUT RESISTANCE—tensile strength exceeds requirements of D.O.T., Title 49 of the Code of Federal Regulations, Part 192.283 (b)
- ▶ AVAILABLE WITH 2406/2708 OR 3408/4710 P.E. EXTENSIONS
- ▶ CONFORMS TO ASTM D2513 & D2683 & ANSI B31.8 & DOT 192.121
- ▶ AVAILABLE WITH MALE PIPE THREADED END OR WITH EXTENDED OUTLET WITH BUTT WELD END
- ▶ METALLIC OUTLET AVAILABLE IN STEEL OR BRASS



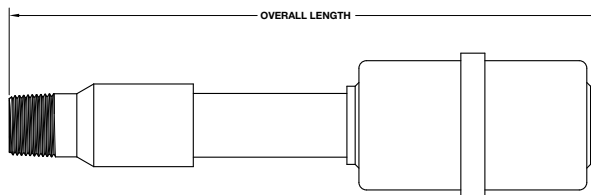
TRANSITION FITTINGS

CON-STAB ID SEAL® STEEL TRANSITION FITTINGS



OUTLET (PE SIZE)	WALL	INLET	PART NUMBER 2406/2708	PART NUMBER 3408/4710	OVERALL LENGTH
1/2"CTS	.090	1/2"MPT	4646-00-1904-25†‡	4949-00-1904-25‡	16 9/16"
1"CTS (1 1/8" OD)	.099/.101	1"MPT	4646-00-1908-25†‡	4949-00-1908-25‡	16 15/16"
1/2"IPS	SDR-9.33 (.090)	3/4"MPT	4646-00-1912-25‡	4949-00-1912-25‡	16 9/16"
3/4"IPS	SDR-11 (.095)	3/4"MPT	4646-00-1913-25†‡	4949-00-1913-25‡	17 3/16"
1"IPS	SDR-11 (.119)	1"MPT	4646-00-1914-25†‡	4949-00-1914-25‡	19 1/4"
1 1/4"IPS	SDR-10 (.166)	1 1/4"MPT	4646-00-1915-25†‡	Not Available	19 3/16"
1 1/4"IPS	SDR-11 (.151)	1 1/4" MPT	9946-00-0058-25†‡	9949-00-0001-25‡	19 3/16"
1 1/2"IPS	SDR-11 (.171)	1 1/2"MPT	4646-00-1916-25†‡	4949-00-1916-25‡	19 7/16"
2"IPS	SDR-11 (.166)	2"MPT	4646-00-1917-25†‡	4949-00-1917-25‡	19 13/16"

- For sizes not listed, contact Continental Industries.
- Pressure rating—Designed to meet or exceed pressure rating of PE pipe per 49 CFR Part 192 and ASTM D2513.
- Recommended accessories;
 - Continental's Bladed Chamfering Tool. See page 30 for size combinations available.
- † = CSA Approved / ‡ = IAPMO/UPC Listed



CON-STAB ID SEAL® BRASS TRANSITION FITTINGS

OUTLET (PE SIZE)	WALL	INLET	PART NUMBER (3408/4710)
1/2" CTS (5/8" OD)	.090	1/2" MPT	9932-00-0002-00
		1/2" FPT	9932-00-0019-00
		3/4" MPT	9932-00-0004-00
		3/4" FPT	9932-00-0021-00
1" CTS (1 1/8" OD)	.099/.101	3/4" MPT	9932-00-0008-00
		3/4" FPT	9932-00-0025-00
		1" MPT	9932-00-0010-00
		1" FPT	9932-00-0027-00
	.090	3/4" MPT	9932-00-0007-00
		3/4" FPT	9932-00-0024-00
		1" MPT	9932-00-0009-00
		1" FPT	9932-00-0026-00
1/2" IPS	SDR-9.33 (.090)	1/2" MPT	9932-00-0013-00
		1/2" FPT	9932-00-0030-00
		3/4" MPT	9932-00-0014-00
		3/4" FPT	9932-00-0031-00
3/4" IPS	SDR-11 (.095)	3/4" MPT	9932-00-0015-00
		3/4" FPT	9932-00-0032-00
		1" MPT	9932-00-0016-00
		1" FPT	9932-00-0033-00



- For sizes not listed, contact Continental Industries.
- Pressure rating—Designed to meet or exceed pressure rating of PE pipe per 49 CFR Part 192 and ASTM D2513.
- Recommended accessories;
 - Continental's Bladed Chamfering Tool. See page 30 for size combinations available.



ID CHAMFERING TOOLS

To Be Used With Con-Stab ID Seal® Fittings

CATALOG NO.	DESCRIPTION
DOUBLE ENDED ID CHAMFER TOOLS	
0000-33-5647-00	1/2" IPS X 1/2" CTS (5/8" OD)
0000-33-5481-00	3/4" IPS X 1/2" CTS (5/8" OD)
0000-33-5652-00	3/4" IPS X 1/2" IPS
0000-33-5651-00	3/4" CTS (7/8" OD) X 1/2" CTS (5/8" OD)
0000-33-5609-00	3/4" CTS (7/8" OD) X 1/2" IPS
0000-33-5480-00	1" CTS (1 1/8" OD) X 1/2" CTS (5/8" OD)
0000-33-5963-00	1" CTS (1 1/8" OD) X 1/2" IPS
0000-33-5763-00	1" CTS (1 1/8" OD) X 3/4" CTS (7/8" OD)
0000-33-5589-00	1" CTS (1 1/8" OD) X 3/4" IPS
0000-33-5514-00	1" IPS X 1/2" CTS (5/8" OD)
0000-33-5516-00	1" IPS X 3/4" IPS
0000-33-5606-00	1" IPS X 1" CTS (1 1/8" OD)
0000-33-5515-00	1 1/4" CTS (1 3/8" OD) X 1/2" CTS (5/8" OD)
0000-33-5798-00	1 1/4" CTS (1 3/8" OD) X 3/4" IPS
0000-33-5631-00	1 1/4" CTS (1 3/8" OD) X 1" CTS (1 1/8" OD)
0000-33-6572-00	1 1/4" CTS (1 3/8" OD) X 1" IPS
ID CHAMFER TOOLS WITH GAUGE	
0000-33-6580-04	1/2" CTS (5/8" OD) .090 WALL
0000-33-6580-02	1" CTS (1 1/8" OD) .090 WALL
0000-33-6580-06	3/4" CTS (7/8" OD) .090 WALL
0000-33-6580-08	1" CTS (1 1/8" OD) .099/.101 WALL
0000-33-6580-12	1/2" IPS SDR-9.3
0000-33-6580-13	3/4" IPS SDR-11
0000-33-6580-14	1" IPS SDR-11
0000-33-6580-03	1 1/4" CTS (1 3/8" OD) .090 WALL
0000-33-6580-10	1 1/4" IPS SDR-11 (.151 WALL)
0000-33-6580-15	1 1/4" IPS SDR-10 (.166 WALL)
0000-33-6580-09	1 1/4" IPS SDR-9.3 (.178 WALL)
0000-38-6580-16	1 1/2" IPS SDR-11
0000-33-6580-17	2" IPS SDR-11



DOUBLE ENDED ID CHAMFER TOOL



ID CHAMFER TOOL W/ GAUGE

ID CHAMFERING TOOLS

With 1/2" Square Drive Socket

To Be Used With Continental Stab Fittings

CATALOG NO.	DESCRIPTION
ID CHAMFER TOOLS WITH 1/2" SQUARE DRIVE SOCKET	
0000-33-7438-04	1/2" CTS (5/8" OD)
0000-33-7438-06	3/4" CTS (7/8" OD)
0000-33-7438-08	1" CTS (1 1/8" OD)
0000-33-7438-39	1 1/4" CTS (1 3/8" OD)
0000-33-7438-12	1/2" IPS
0000-33-7438-13	3/4" IPS
0000-33-7438-14	1" IPS
0000-33-6580-15	1 1/4" IPS
0000-38-6580-16	1 1/2" IPS
0000-33-6580-17	2" IPS





1/2" Square Drive Socket To Be Used With Continental Stab Fittings



Cordless Driver ~ Comes complete with
(2) batteries, charger and carrying case
For use with ID Seal® Chamfer Tools
Catalog # 33-7436-00



Socket Adapter
1/4" Hex x 1/2" Square
Catalog # 33-7435-00

ACCESSORIES For Con-Stab ID Seal® Eliminators



33-4363-00 ~ 1/2" Square Drive Key, Bushing & Socket Adapter Ass'y
for HVT Eliminator Saddles

33-5505-00 ~ Combination Tapping Tool & Saddle Bolt "T" Wrench
for 1" thru 6" IPS Con-Stab ID Seal® Eliminators
33-5505-01 ~ Combination Tapping Tool & Saddle Bolt "T" Wrench
for 3" thru 8" IPS Con-Stab ID Seal® Eliminators



33-5508-00 ~ Test Plug Cap for Eliminator Saddles with 1/4"
FPT for attachment of quick connect coupling
33-6290-00 ~ Test Plug Cap for HVT Saddles with 1/4" FPT for
attachment of quick connect coupling



Scissor Style Pipe Cutters
1 1/4" OD and smaller pipe
Catalog # 33-7431-00



Ratcheting Style Pipe Cutters
2" IPS and smaller pipe
Catalog # 33-7433-00



Ratcheting Style Pipe Cutters
1 1/4" OD and smaller pipe
Catalog # 33-7432-00



Cordless Shear Style Pipe Cutters
2" IPS and smaller pipe
Comes complete with charger and carrying case
Catalog #33-7434-00



Needle Nose Pliers
Used to remove PE chips from ID Seal® Chamfer Tools
Catalog # 33-7437-00



Metallic Permanent Marker Silver Fine Point
For marking stab depth. Silver color shows on both yellow and black PE pipe.
Catalog # 33-7430-00



Dow Corning 111 Valve Lube
Used to lubricate PE Pipe before insertion into ID Seal® Con-Stab Fittings
Catalog # 34-7287-00



Cleaning Wipes
Used to clean PE pipe before making connection per installation instructions
Catalog #33-7429-00 ~ Cannister, 100 wipes
Catalog #33-7429-01 ~ Box, 60 individual packets



PUNCH DATA & ACCESSORIES For Steel Punch Tees

"CR" Coupon Retaining Punch

Slug is actually retained in head of punch
– no more slugs left inside mains.

Exclusive tip design actually reduces tapping torque.
Available with all Continental Punch Tees.



EXCLUSIVE

"NC" No Coupon Punch

No "Coupon" Punch flares a hole
in the main without producing a "Coupon".
Available in 1/4" & 3/8" sizes only.
Specify "No Coupon Punch".



TEE BODY SIZE	PUNCH TIP SIZE	NC CAT. NO.	CR CAT. NO.	DRIVE KEY SIZE	DRIVE KEY CATALOG NO.	MAX. PIPE WALL THICKNESS	MAX. PIPE YIELD STRENGTH
1/2" BODY PUNCHES							
1/2" Body Tee	1/4"	06-0442-00	N/A	5/16" Hex	23-3691-00	0.25	65 ksi
1/2" Body Tee	3/8"	N/A	06-0895-00†	5/16" Hex	23-3691-00	0.28	70 ksi
3/4" BODY PUNCHES							
3/4" Body Tee	3/8"	06-5961-00	06-0478-00†	3/8" Hex	23-3692-00	0.28	70 ksi
3/4" Body Tee	1/2"	N/A	06-0452-00	3/8" Hex	23-3692-00	0.25	65 ksi
1" BODY PUNCHES							
1" Body Tee	3/8"	N/A	06-3687-00	1/2" Sq.	23-0941-00	0.28	70 ksi
1" Body Tee	3/4"	N/A	06-0832-00†	1/2" Sq.	23-0941-00	0.25	65 ksi

- One piece tool steel
- Positive valve
- Socket and threads heat treated for maximum toughness
- Cutting tip is heat treated for maximum hardness

† Standard

Lubricant must be applied to the punch threads and punch tip. Acceptable lubricants include thread cutting oil, tapping fluid or tapping grease.



23-3691-00 ~ Drive Key Assembly for 1/2" Body Punch Tees
23-3692-00 ~ Drive Key Assembly for 3/4" Body Punch Tees
23-0941-00 ~ Drive Key Assembly for 1" Body Punch Tees

23-1644-00 ~ Test Plug Adapter for 1201 Style 1/2" Body Punch Tees
23-1645-00 ~ Test Plug Adapter for 1302 Style 3/4" Body Punch Tees

CATALOG NO.	DESCRIPTION
DRIVE KEYS TO BE USED WITH 1/2" BODY PUNCH TEE STYLES: 1201 & 1214	
0000-23-3691-00	5/16" HEX DRIVE KEY, BUSHING AND SOCKET ADAPTER
0000-23-1018-00	REPLACEMENT 5/16" HEX DRIVE KEY FOR 0000-23-3691-00
0000-23-1019-00	REPLACEMENT BUSHING FOR 0000-23-3691-00
0000-23-1020-00	REPLACEMENT SOCKET ADAPTER FOR 0000-23-3691-00
0000-23-1021-00	5/16" HEX DRIVE KEY AND BUSHING ONLY
0000-23-0553-01	5/16" HEX DRIVE KEY, BUSHING AND ADAPTER FOR USE WITH DRESSER'S® 1 1/8" SQUARE RATCHET WRENCH
DRIVE KEYS TO BE USED WITH 3/4" BODY PUNCH TEE STYLES 1302 & 1315	
0000-23-3692-00	3/8" HEX DRIVE KEY, BUSHING AND SOCKET ADAPTER
0000-23-0544-00	REPLACEMENT 3/8" HEX DRIVE KEY FOR 0000-23-3692-00
0000-23-0543-00	REPLACEMENT BUSHING FOR 0000-23-3692-00
0000-23-0542-00	REPLACEMENT SOCKET ADAPTER FOR 0000-23-3692-00
0000-23-0481-00	3/8" HEX DRIVE KEY AND BUSHING ONLY
0000-23-0553-00	3/8" HEX DRIVE KEY, BUSHING AND ADAPTER FOR USE WITH DRESSER'S® 1 1/8" SQUARE RATCHET WRENCH
DRIVE KEYS TO BE USED WITH 1" BODY PUNCH TEE STYLE 1416	
0000-23-0941-00	1/2" SQUARE DRIVE KEY, BUSHING AND SOCKET ADAPTER
0000-23-7236-00	REPLACEMENT 1/2" SQUARE DRIVE KEY FOR 0000-23-0941-00
0000-23-0882-01	REPLACEMENT BUSHING FOR 0000-23-0941-00
OTHER ACCESSORIES	
0000-23-1644-00	TEST PLUG ADAPTER FOR 1201 STYLE PUNCH TEES
0000-23-1645-00	TEST PLUG ADAPTER FOR 1302 STYLE PUNCH TEES
0000-08-1554-03	REPLACEMENT O-RING FOR 0000-23-1644-00 TEST PLUG ADAPTER
0000-08-1554-04	REPLACEMENT O-RING FOR 0000-23-1645-00 TEST PLUG ADAPTER

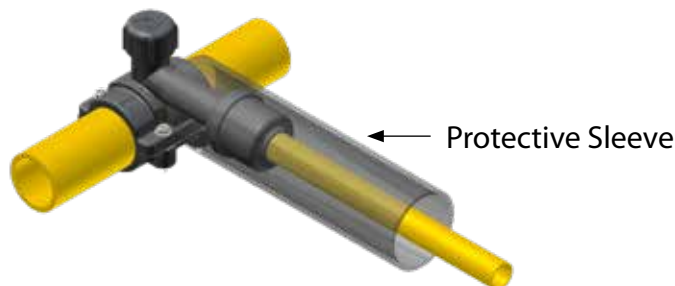


PE PROTECTIVE SLEEVES



CATALOG NUMBER	DIAMETER		LENGTH	FOR USE WITH CONTINENTAL PRODUCTS		
	INTERNAL	OUTSIDE		STEEL FITTINGS	PA FITTINGS	STAB FITTINGS
44-2585-00	1.370/1.395	1.612	12"			
44-2586-00	1.875/1.915	2.190	12"		3/8" OD & 5/8" OD P.E. Compression O/L's	
44-2587-00	2.375/2.425	2.760	12"	3/8" OD, 5/8" OD P.E. Compression O/L's	1 1/8" OD P.E. Compression O/L's	
44-2588-00	2.375/2.425	2.760	21"	5/8" OD, 1/2" IPS & 3/4" IPS P.E. Transition O/L's		
44-2589-00	2.875	3.270	24"	7/8" OD, 1/2" IPS P.E. Compression O/L's	3/4" IPS & 1" IPS P.E. Compression O/L's	5/8" OD, 7/8" OD, 1 1/8" OD, 1/2" IPS, 3/4" IPS & 1" IPS O/L's
				1 1/8" OD, 1" IPS P.E. Transition O/L's		
44-5753-00	4.250 MIN.	4.760	24"	1 1/8" OD, 3/4" IPS, 1" IPS, 1 1/4" IPS & 1 1/2" IPS P.E. Compression O/L's	1 1/4" IPS P.E. Compression O/L's	1 1/4" IPS & 1 1/2" IPS O/L's
				1 1/4" IPS P.E. Transition O/L's		
44-5754-00	5.200 MIN.	5.820	36"		2" IPS P.E. Compression O/L's	2" IPS O/L's

NOTE: It is advisable to limit shear at main connections. In this regard, your company's policies should be followed. For further information, reference; ASTM D 2774 Standard Practice for Underground Installation of Thermoplastic Pressure Piping; Code of Federal Regulations, Title 49, Transportation Part 192; AGA Plastic Pipe Manual and/or The Guidance Manual for Operators of Small Gas Systems by the U.S. Department of Transportation.

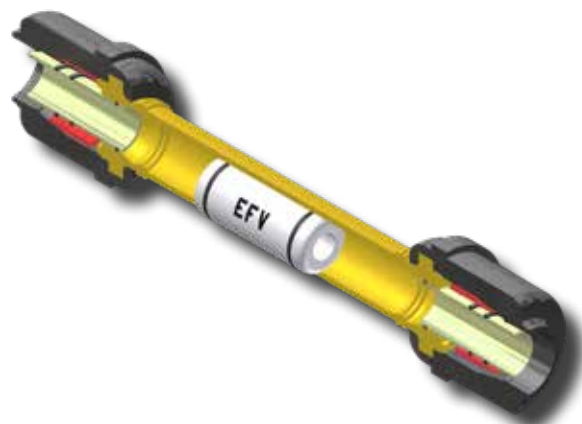




EXCESS FLOW VALVES For Fittings with EFV's Contact Continental Industries



CON-STAB ID SEAL® ELIMINATORS



CON-STAB ID SEAL® FULL COUPLINGS



CON-STAB ID SEAL® FUSION SADDLES



CON-STAB ID SEAL® ADAPTER COUPLINGS



ASSEMBLY INSTRUCTIONS : ID SEAL® CON-STAB

IMPORTANT

For use on: Polyethylene gas pipe meeting the requirements of ASTM D 2513
Pressure Rating: Designed to meet or exceed pressure rating of PE pipe per 49 CFR Part 192 and ASTM D 2513
Operating Temperature: -20 to 140° F

1 Verify the stab fitting is the correct size for the polyethylene (P.E.) pipe. Verify the SDR (or wall thickness) of the pipe matches the SDR (or wall thickness) printed on the fitting label.



2 Cut pipe ends square.



3 Clean piping thoroughly to assure there is no dirt, grease or oil in assembly area.



4a Chamfer end of pipe using [Continental's ID chamfering tool with ID gauge](#).

or



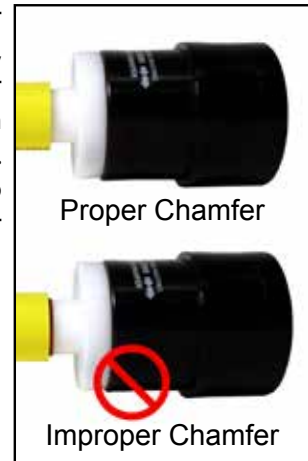
4b Chamfer end of pipe using [Continental's double ended ID chamfering tool](#).



5 Mark the stab depth by inserting pipe into ID chamfer tool and marking the pipe at the entrance as shown.



6 If using ID chamfer tool with gauge, check for proper chamfer by inserting pipe on gauge up to the o ring. With proper chamfer, o ring will begin to enter pipe.



7 Stab pipe completely into fitting entrance.



8 Stab pipe completely into fitting so that the mark on the pipe is within 1/8" from the fitting entrance.



9 Repeat steps 1 thru 8 for all Con-Stab joints.

10 To assure proper assembly and to comply with 49 CFR 192 Subpart J—Test Requirements, the joint shall be leak tested.

IMPORTANT
 CHAMFER THE
 ID OF PIPE




PATENT #'S 5,366,260, 5,692,785 & 5,853,272



Con-Stab ID Seal® Fittings

FACTS • FEATURES • BENEFITS

FACTS

- The Con-Stab has been sold to the Gas Distribution Plumbing & Propane markets since 1990
- Millions are in service in the U.S.
- The Con-Stab meets the following standards:
 - ASTM D 2513 "Standard Specification for Thermoplastic Gas Pressure Pipe, Tubing and Fittings"
 - ASME B31.8-1995 "Gas Transmission and Distribution Piping Systems"
 - D.O.T., Title 49 of the Code of Federal Regulations,
 - Part 192.283 (b)
 - NFPA 58, LP-Gas Code and NFPA 54 National Fuel Gas Code
 - CSA
 - ICC – International Plumbing Code
 - IAPMO – Uniform Plumbing Code
 - First Stab Connector to be rated at 125 psi
 - Continental is a ISO 9001 Certified Company
 - All U.S. Made and Assembled 
 - The Con-Stab product line is the fastest growing Connector product line in the U.S.



FEATURES & BENEFITS

- Each Con-Stab has Two Internal Seals between the Stiffener and the Pipe
 - **Benefit:** This is the most consistent and smoothest sealing area on P.E. pipe
- Fixed Stiffener
 - **Benefit:** Fixed Stiffeners eliminate uneven loading of the pipe wall at the sealing point
- Self Locking Gripper
 - **Benefit:** Gripper is engaged once the pipe is inserted to stab depth
No internal pressure needed for grip engagement
- Material Options P.E. 3408/4710 or P.E. 2406
 - **Benefit:** Both materials available upon request to satisfy your Customer's needs
- Moisture Lip
 - **Benefit:** This helps prevent debris from entering the Connector
- Uni-body Construction
 - **Benefit:** No external parts to handle during assembly
- Con-Stab Pressure Rating
 - **Benefit:** Meets or exceeds the maximum design pressure of the piping system
- Product Line Offering has over 2,000 Various Options
 - **Benefit:** For Every Connection we have a Connector
- No Tools Needed for Assembly
 - **Benefit:** Just Chamfer the pipe and push
No equipment to buy for assembly
No equipment maintenance
- Assembly Instructions On Every Bag with Illustrations
 - **Benefit:** Makes training and assembly for end user easy
- Chamfer Tool
 - **Benefit:** Available with blades for extended use





Other Products from HGCA

Hubbell Gas Connectors & Accessories, headquartered in Tulsa, Oklahoma with locations California, Wisconsin and Illinois We engineer and manufacture, with a commitment to providing our customers the highest quality products at the best value.

For gas distribution, Hubbell Gas Connectors & Accessories (HGCA) supplies a full line of specialty products, offering turnkey solutions for main-to-meter connections. No other single manufacturer can offer the variety of fittings that HGCA provides. Whether you need to connect PE to PE, PE to PVC, PE to Steel, PE to Copper or Steel to Steel, chances are HGCA has one to do the job. HGCA is an ISO 9001 certified company. Our products meet or exceed all ASTM and D.O.T. requirements and make safe, reliable and economical connections.

Advance Engineering is a National Leader in providing the Gas Utility Industry and other related markets with fabricated meter sets and high grade pipe nipples for 75 plus years. Together with our sister company Perfect Pipe and Supply, our turnkey operations provides the Gas Utilities Industry with fabrications starting in the Residential 250 Class arena and going up to Gate Station fabrication. We have a complete line of fabricated Bypass sets for all Diaphragm and Rotary Meter configurations.



The GasBreaker Brand has served the natural gas industry since 1970. In 1974, GasBreaker EFVs became the premier Excess Flow Valves used on gas service lines to protect homes and businesses. Since their introduction millions of GasBreaker EFVs have been sold (More than 5 times as many valves as all US competitors combined) and installed worldwide, providing tens of billions of field service hours. Today the GasBreaker Excess Flow Valve is known as "The EFV of Choice."



As one of the most trusted names in gas pipeline components manufacturing since 1973, the Lyall Corporation has an undisputed reputation for quality. The Lyall mission is to consistently manufacture the safest, most reliable and installer-friendly gas pipeline products available. From midstream to local distribution and all points between, Lyall keeps the gas industries moving.





Gas Connectors & Accessories

Continental Industries

Superior Quality

Superior Service

Superior Selection



1140 North 129th East Ave. Tulsa OK 74116

Phone: 918-627-5210

Fax: 918-6221275

www.conind.com

0000-99-1042-00 ECN 2821 REV "W" 08/18



www.hubbell.com

